



# Bombas Sumergibles Acero Inoxidable

SS304/SS316/SS904

# 10"

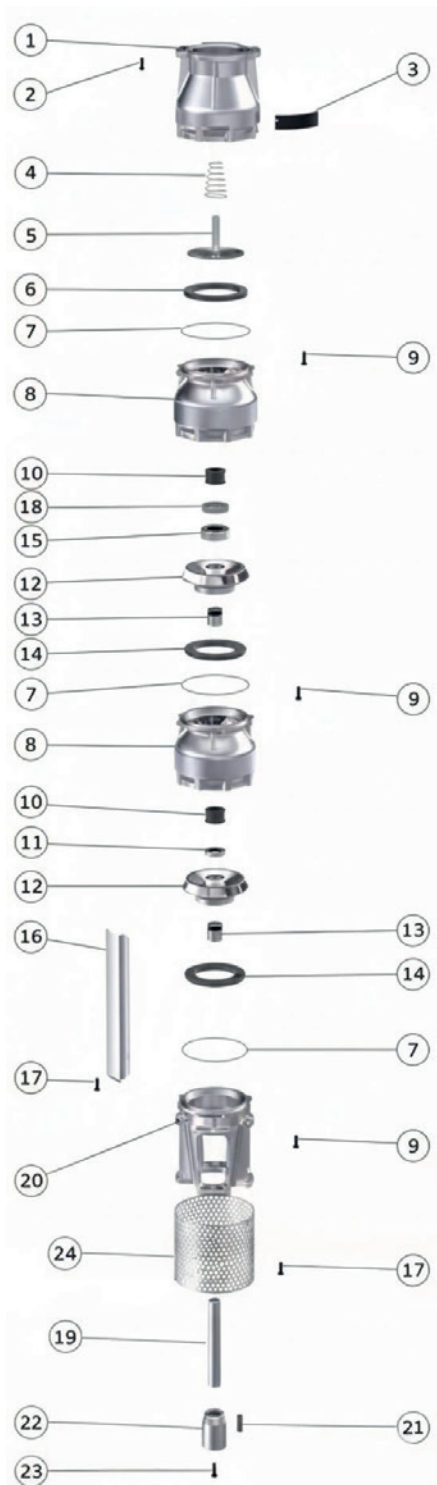


# Serie 10SX

## Bombas Sumergibles Acero Inoxidable



### Despiece - Materiales



| nº | Componente                         | Material           |
|----|------------------------------------|--------------------|
| 1  | Cuerpo de Válvula                  | AISI 304/Wr 14301  |
| 2  | Tornillo cabeza Allen punta cónica | AISI 304/Wr 14301  |
| 3  | Placa metálica                     | AISI 316/Wr 14401  |
| 4  | Resorte                            | AISI 904L/Wr 14539 |
| 5  | Válvula                            | AISI 304/Wr 14301  |
| 6  | Asiento de válvula                 | NBR/FDA            |
| 7  | Tórica                             | EPDM               |
| 8  | Difusor                            | AISI 304/Wr 14301  |
| 9  | Tornillos                          | AISI 304/Wr 14301  |
| 10 | Rodamiento                         | NBR/FDA            |
| 12 | Impulsor                           | ASI 304/Wr 14301   |
| 13 | Casquillo Cónico                   | ASI 304/Wr 14301   |
| 14 | Anillo de Desgaste                 | NBR/FDA            |
| 15 | Contraxial                         | AISI 304/Wr 14301  |
| 16 | Cubre Cable                        | AISI 304/Wr 14301  |
| 17 | Tornillos                          | AISI 304/Wr 14301  |
| 18 | Anillo de Fricción Fijo            | AISI 420B/Wr 14028 |
| 19 | Eje                                | AISI 420B/Wr 14028 |
| 20 | Cuerpo de Aspiración               | AISI 304/Wr 14301  |
| 21 | Chaveta Junta                      | AISI 316/Wr 14401  |
| 22 | Manguito de Acoplamiento           | AISI 420B/Wr 14028 |
| 23 | Tornillo                           | AISI 304/Wr 14301  |
| 24 | Rejilla                            | AISI 304/Wr 14301  |

NOTA: Consultar materiales en ejecuciones especiales AISI 316 y 904

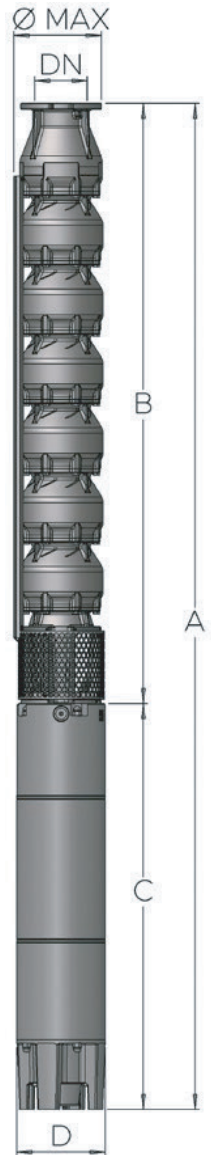
# 10SX180

## Bombas Sumergibles Acero Inoxidable



### Características Hidráulicas a 50Hz

| Modelo       | Motor <sup>2900 rpm</sup> |      | Q = Caudal |     |       |       |       |       |       |       |       |       |       |
|--------------|---------------------------|------|------------|-----|-------|-------|-------|-------|-------|-------|-------|-------|-------|
|              | CV hp                     | kW   | m³/h       | 0   | 96    | 108   | 120   | 132   | 144   | 156   | 168   | 180   | 192   |
|              |                           |      | l/min      | 0   | 1600  | 1800  | 2000  | 2200  | 2400  | 2600  | 2800  | 3000  | 3200  |
|              |                           |      | l/s        | 0   | 26,67 | 30,00 | 33,33 | 36,67 | 40,00 | 43,33 | 46,67 | 50,00 | 53,33 |
| 10SX180/1Y/A | 15                        | 11   | H(m)       | 31  | 27    | 26    | 25    | 24    | 23    | 21    | 19    | 16    | 12    |
| 10SX180/1P/A | 20                        | 15   |            | 37  | 33    | 33    | 32    | 31    | 30    | 29    | 27    | 24    | 20    |
| 10SX180/1A/A | 25                        | 18,5 |            | 45  | 39    | 39    | 38    | 36    | 35    | 33    | 31    | 28    | 26    |
| 10SX180/2V/A | 30                        | 22   |            | 67  | 56    | 54    | 52    | 49    | 45    | 40    | 36    | 31    | 26    |
| 10SX180/2R/A | 35                        | 26   |            | 73  | 62    | 60    | 58    | 56    | 53    | 47    | 42    | 36    | 30    |
| 10SX180/2L/A | 40                        | 30   |            | 79  | 69    | 67    | 65    | 63    | 60    | 54    | 49    | 43    | 37    |
| 10SX180/2A/A | 50                        | 37   |            | 94  | 79    | 78    | 76    | 74    | 70    | 65    | 61    | 57    | 52    |
| 10SX180/3G/A | 60                        | 45   |            | 125 | 108   | 106   | 102   | 99    | 94    | 86    | 77    | 69    | 60    |
| 10SX180/3A/A | 70                        | 51   |            | 139 | 116   | 113   | 110   | 108   | 101   | 93    | 85    | 78    | 71    |
| 10SX180/4L/A | 75                        | 55   |            | 157 | 135   | 131   | 127   | 122   | 115   | 103   | 92    | 81    | 70    |
| 10SX180/4G/A | 80                        | 59   |            | 166 | 143   | 139   | 135   | 130   | 124   | 116   | 102   | 90    | 78    |
| 10SX180/4A/A | 90                        | 66   |            | 185 | 152   | 148   | 144   | 140   | 135   | 128   | 120   | 110   | 96    |
| 10SX180/5E/A | 100                       | 75   |            | 209 | 180   | 175   | 170   | 164   | 155   | 140   | 126   | 113   | 100   |



### Dimensiones y Pesos

| Modelo       | CV hp | kW   | A mm | B mm | C mm | D mm | Ømax mm | DN            | A kg | B kg | C kg |
|--------------|-------|------|------|------|------|------|---------|---------------|------|------|------|
| 10SX180/1Y/A | 15    | 11   | 1427 | 660  | 767  | 145  | 254     | G6"<br>DN 150 | 103  | 42   | 61   |
| 10SX180/1P/A | 20    | 15   | 1487 | 660  | 827  |      |         |               | 111  | 69   |      |
| 10SX180/1A/A | 25    | 18,5 | 1557 | 660  | 897  |      |         |               | 116  | 74   |      |
| 10SX180/2V/A | 30    | 22   | 1816 | 849  | 967  |      |         |               | 139  | 81   |      |
| 10SX180/2R/A | 35    | 26   | 1876 | 849  | 1027 |      |         |               | 148  | 90   |      |
| 10SX180/2L/A | 40    | 30   | 1898 | 849  | 1049 | 192  |         |               | 195  | 58   | 137  |
| 10SX180/2A/A | 50    | 37   | 1968 | 849  | 1119 |      |         |               | 215  | 58   | 157  |
| 10SX180/3G/A | 60    | 45   | 2267 | 1038 | 1229 |      |         |               | 242  | 73   | 169  |
| 10SX180/3A/A | 70    | 51   | 2267 | 1038 | 1229 |      |         |               | 243  | 73   | 170  |
| 10SX180/4L/A | 75    | 55   | 2576 | 1227 | 1349 |      |         |               | 282  | 88   | 194  |
| 10SX180/4G/A | 80    | 59   | 2576 | 1227 | 1349 |      |         |               | 282  | 88   | 194  |
| 10SX180/4A/A | 90    | 66   | 2646 | 1227 | 1419 |      |         |               | 298  | 88   | 210  |
| 10SX180/5E/A | 100   | 75   | 3025 | 1416 | 1609 |      |         |               | 345  | 104  | 241  |

\*Esta electrobomba no se recomienda para el montaje horizontal.

### Aplicaciones



Abastecimiento Público



Aumentos de Presión en Red



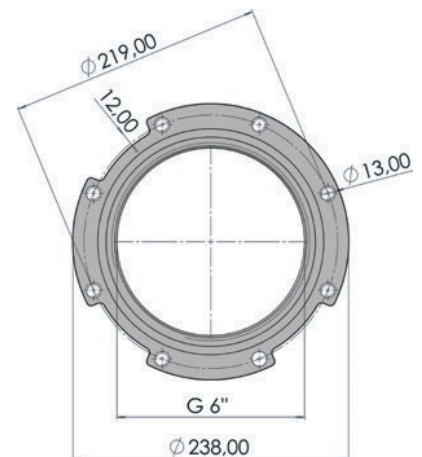
Industria



Riego y Agricultura



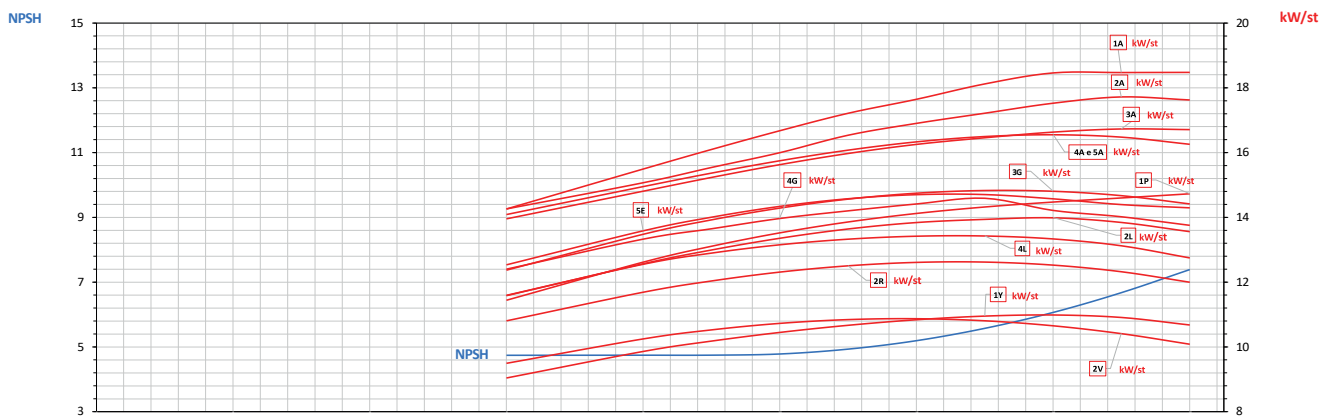
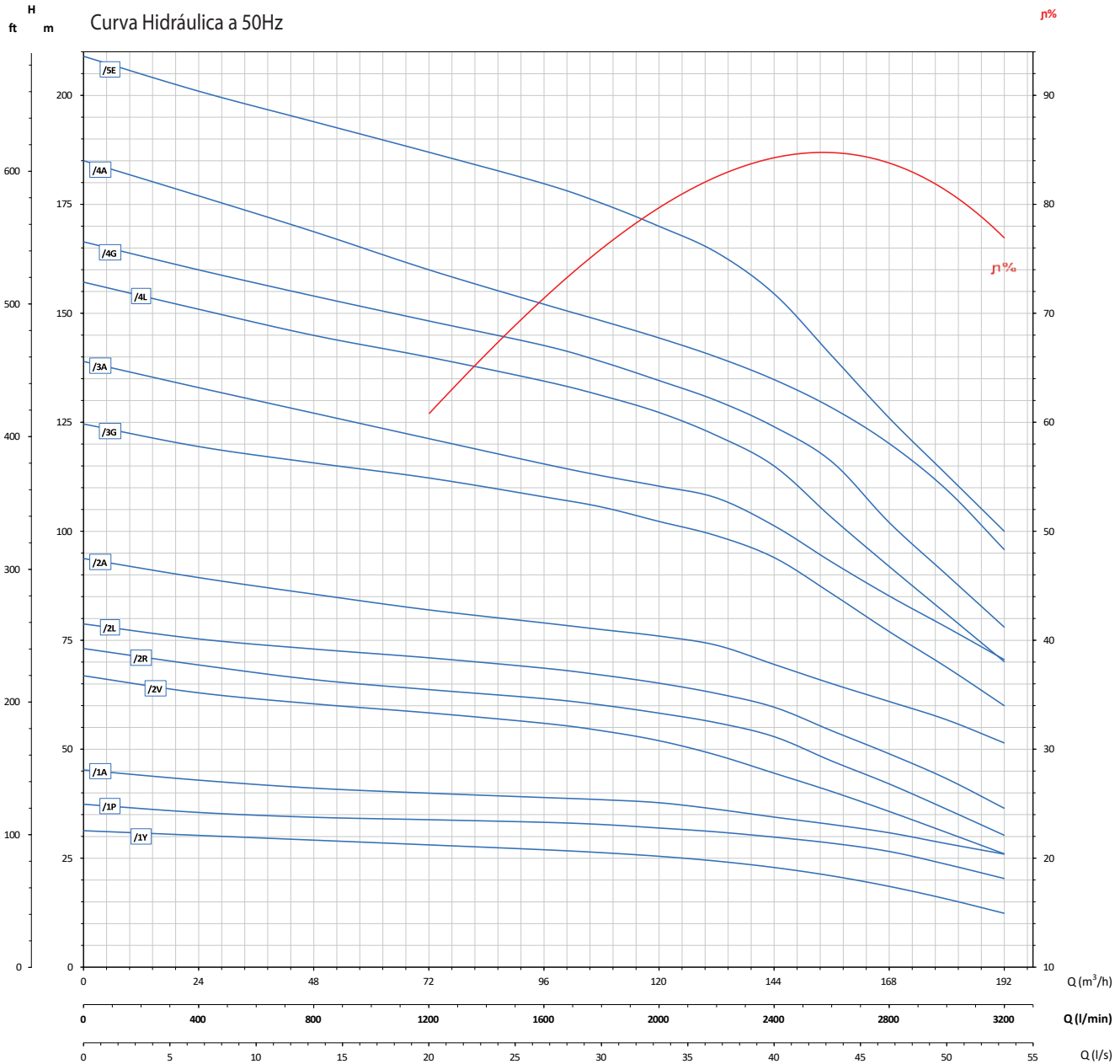
Bombeo Solar



Medidas brida cuerpo Impulsión (mm)

# 10SX-180

## Bombas Sumergibles Acero Inoxidable



**Rendimiento máximo 84,50%**

**Absorción máxima por etapa 1A = 18,5 kW/st - 1P = 14,7 kW/st - 1Y = 11,0 kW/st - 2A = 17,7 kW/st - 2L = 14 kW/st - 2R = 12,75 kW/st - 2V = 10,9 kW/st - 3A = 16,74 kW/st - 3G = 14,84 kW/st - 4A e 5A = 16,58 kW/st - 4G = 14,58 kW/st - 4L = 13,43 kW/st - 5E = 14,74 kW/st**

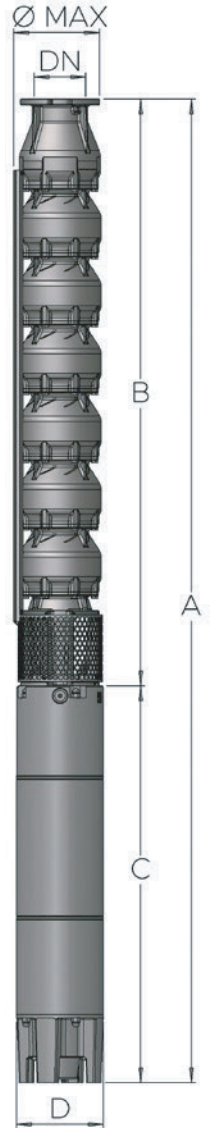
# 10SX-180

## Bombas Sumergibles Acero Inoxidable



Características Hidráulicas a 50Hz

| Modelo         | Motor 2900 rpm |     | Q = Caudal |     |       |       |       |       |       |       |       |       |       |
|----------------|----------------|-----|------------|-----|-------|-------|-------|-------|-------|-------|-------|-------|-------|
|                | CV hp          | kW  | m³/h       | 0   | 96    | 108   | 120   | 132   | 144   | 156   | 168   | 180   | 192   |
|                |                |     | l/min      | 0   | 1600  | 1800  | 2000  | 2200  | 2400  | 2600  | 2800  | 3000  | 3200  |
|                |                |     | l/s        | 0   | 26,67 | 30,00 | 33,33 | 36,67 | 40,00 | 43,33 | 46,67 | 50,00 | 53,33 |
| 10SX180/5A     | 125            | 92  | H(m)       | 231 | 190   | 185   | 180   | 175   | 169   | 160   | 150   | 137   | 120   |
| 10SX180/6E     | 125            | 92  |            | 252 | 216   | 211   | 204   | 196   | 185   | 171   | 156   | 138   | 117   |
| 10SX180/6A     | 150            | 110 |            | 281 | 234   | 229   | 223   | 216   | 206   | 189   | 173   | 158   | 142   |
| 10SX180/7C     | 150            | 110 |            | 301 | 259   | 252   | 245   | 236   | 224   | 207   | 187   | 167   | 148   |
| 10SX180/7A     | 180            | 132 |            | 328 | 273   | 267   | 260   | 252   | 240   | 221   | 202   | 184   | 166   |
| 10SX180/8A     | 180            | 132 |            | 371 | 307   | 299   | 288   | 275   | 260   | 243   | 224   | 204   | 183   |
| 10SX180/9A     | 200            | 150 |            | 418 | 345   | 336   | 324   | 309   | 293   | 273   | 252   | 230   | 206   |
| 10SX180/10A/A* | 230            | 170 |            | 467 | 387   | 378   | 368   | 352   | 334   | 309   | 283   | 258   | 231   |
| 10SX180/11A/A* | 260            | 190 |            | 515 | 428   | 418   | 405   | 390   | 372   | 352   | 326   | 293   | 259   |
| 10SX180/12A/A* | 300            | 220 |            | 562 | 467   | 456   | 442   | 425   | 406   | 383   | 356   | 320   | 283   |
| 10SX180/13A/A* | 300            | 220 |            | 609 | 506   | 494   | 479   | 461   | 440   | 415   | 386   | 346   | 306   |
| 10SX180/14A/A* | 340            | 250 |            | 655 | 545   | 532   | 515   | 496   | 473   | 447   | 415   | 373   | 330   |
| 10SX180/15A/A* | 400            | 300 |            | 702 | 584   | 570   | 552   | 532   | 507   | 479   | 445   | 400   | 353   |



Dimensiones y Pesos

| Modelo         | CV hp | kW  | A mm | B mm | C mm | D mm | Ømax mm | DN  | A kg   | B kg | C kg |     |     |
|----------------|-------|-----|------|------|------|------|---------|-----|--------|------|------|-----|-----|
| 10SX180/5A/A   | 125   | 92  | 3095 | 1416 | 1679 | 192  | 254     | G6" | 355    | 104  | 251  |     |     |
| 10SX180/6E/A   | 125   | 92  | 3284 | 1605 | 1679 |      |         |     | 370    | 119  | 251  |     |     |
| 10SX180/6A/A   | 150   | 110 | 3313 | 1605 | 1708 | 240  |         |     | DN 150 | 477  | 119  | 358 |     |
| 10SX180/7C/A   | 150   | 110 | 3502 | 1794 | 1708 |      |         |     |        | 492  | 134  | 358 |     |
| 10SX180/7A/A   | 180   | 132 | 3602 | 1794 | 1808 | 551  |         |     |        | 134  | 417  |     |     |
| 10SX180/8A/A   | 180   | 132 | 3791 | 1983 | 1808 | 566  |         |     |        | 149  | 417  |     |     |
| 10SX180/9A/A   | 200   | 150 | 4100 | 2172 | 1928 | 286  |         |     |        | 286  | 624  | 164 | 460 |
| 10SX180/10A/A* | 230   | 170 | 4389 | 2361 | 2028 |      |         |     |        |      | 663  | 179 | 484 |
| 10SX180/11A/A* | 260   | 190 | 4678 | 2550 | 2128 | 714  |         |     |        |      | 194  | 520 |     |
| 10SX180/12A/A* | 300   | 220 | 4976 | 2739 | 2237 | 910  |         |     |        |      | 210  | 700 |     |
| 10SX180/13A/A* | 300   | 220 | 5165 | 2928 | 2237 | 925  |         |     |        |      | 225  | 700 |     |
| 10SX180/14A/A* | 340   | 250 | 5525 | 3118 | 2407 | 1015 |         |     |        |      | 240  | 775 |     |
| 10SX180/15A/A* | 400   | 300 | 5714 | 3307 | 2407 | 1030 |         |     |        |      | 255  | 775 |     |

\*Esta electrobomba no se recomienda para el montaje horizontal.

### Aplicaciones



Abastecimiento Público



Aumentos de Presión en Red



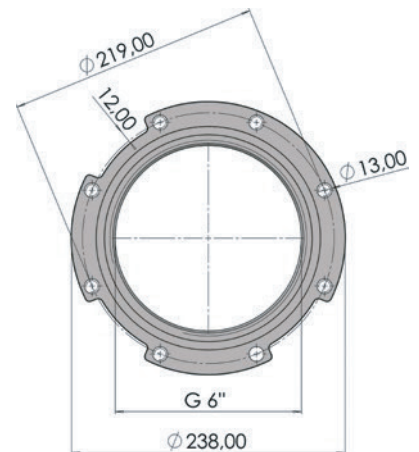
Industria



Riego y Agricultura



Bombeo Solar



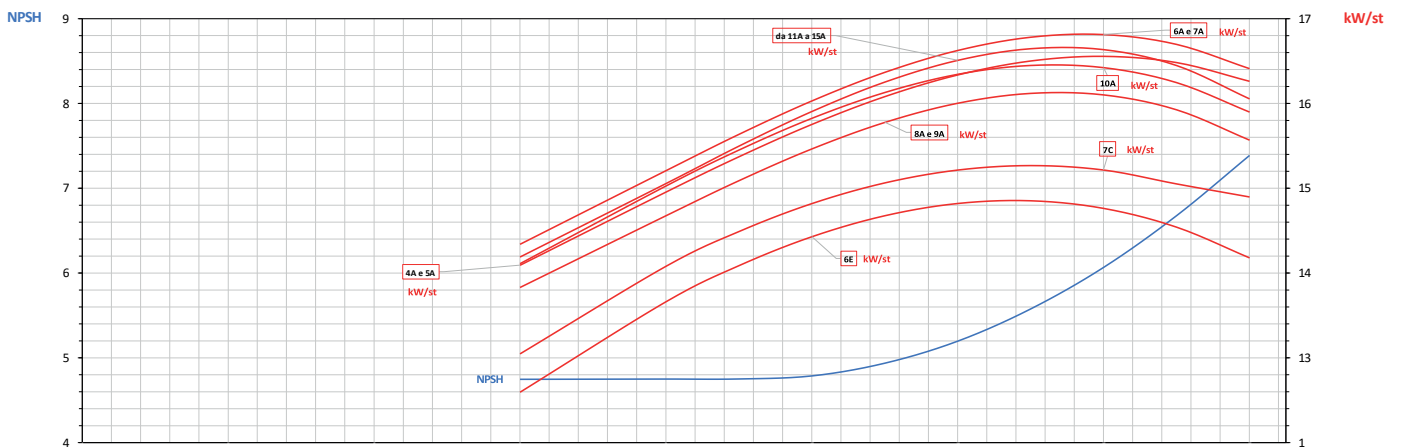
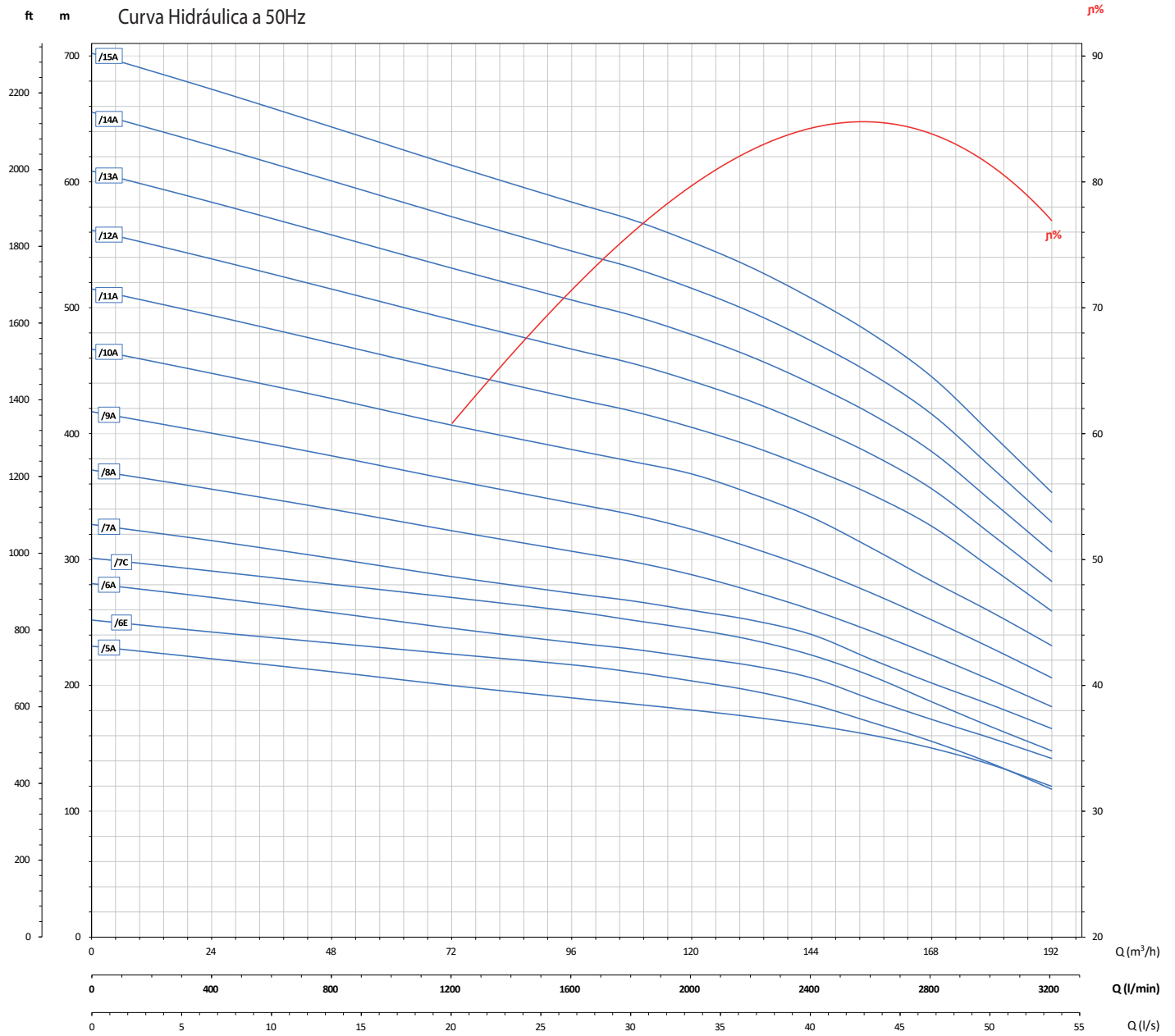
Medidas brida cuerpo Impulsión (mm)

Las condiciones de trabajo han sido tomadas en las siguientes condiciones: Agua a 15°C, presión atmosférica 1bar y densidad específica 1gr/cm³, según ISO 9906 Anex A.

Debido a continuas mejoras en el diseño EMC BOMBAS se reserva el derecho a hacer modificaciones sin previo aviso

# 10SX-180

Bombas Sumergibles Acero Inoxidable



**Rendimiento máximo 84,50%**

**Absorción máxima por etapa 4A e 5A = 16,58 kW/st - 6A e 7A = 16,82 kW/st - 6E = 14,85 kW/st - 7C = 15,28 kW/st  
8A e 9A = 16,13 kW/st - 10A = 16,45 kW/st - da 11A 15A = 16,65 kW/st**

Las condiciones de trabajo han sido tomadas en las siguientes condiciones: Agua a 15°C, presión atmosférica 1bar y densidad específica 1gr/cm³, según ISO 9906 Anex A.

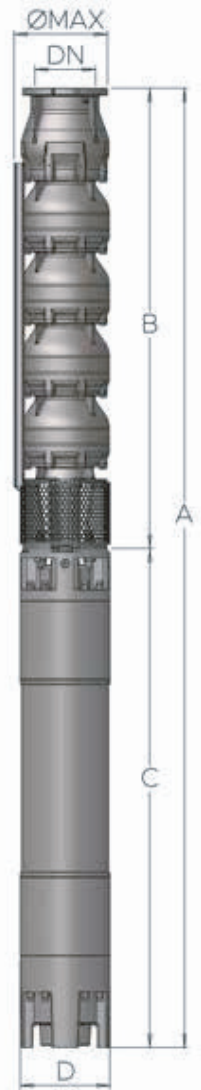
Debido a continuas mejoras en el diseño EMC BOMBAS se reserva el derecho a hacer modificaciones sin previo aviso

# 10SX-190

## Bombas Sumergibles Acero Inoxidable

### Características Hidráulicas a 50Hz

| Modelo       | Motor <sup>2900 rpm</sup> |      | Q = Caudal        |     |       |       |       |       |       |       |       |       |       |
|--------------|---------------------------|------|-------------------|-----|-------|-------|-------|-------|-------|-------|-------|-------|-------|
|              | CV<br>hp                  | kW   | m <sup>3</sup> /h | 0   | 96    | 114   | 132   | 150   | 168   | 186   | 204   | 222   | 240   |
|              |                           |      | l/min             | 0   | 1600  | 1900  | 2200  | 2500  | 2800  | 3100  | 3400  | 3700  | 4000  |
|              |                           |      | l/s               | 0   | 26,67 | 31,67 | 36,67 | 41,67 | 46,67 | 51,67 | 56,67 | 61,67 | 66,67 |
| 10SX190/1V/A | 15                        | 11   | H(m)              | 29  | 24    | 23    | 21    | 19    | 17    | 15    | 13    | 10    | 6     |
| 10SX190/1P/A | 20                        | 15   |                   | 35  | 30    | 29    | 28    | 26    | 24    | 21    | 19    | 16    | 13    |
| 10SX190/1G/A | 25                        | 18,5 |                   | 41  | 36    | 35    | 33    | 31    | 29    | 27    | 25    | 22    | 19    |
| 10SX190/1A/A | 30                        | 22   |                   | 44  | 40    | 38    | 37    | 36    | 34    | 32    | 29    | 27    | 24    |
| 10SX190/2R/A | 35                        | 26   |                   | 70  | 59    | 56    | 52    | 48    | 43    | 38    | 32    | 26    | 19    |
| 10SX190/2K/A | 40                        | 30   |                   | 78  | 68    | 65    | 61    | 57    | 52    | 47    | 42    | 37    | 29    |
| 10SX190/2A/A | 50                        | 37   |                   | 87  | 75    | 73    | 69    | 65    | 61    | 56    | 50    | 44    | 37    |
| 10SX190/3K/A | 60                        | 45   |                   | 117 | 101   | 97    | 91    | 85    | 77    | 69    | 59    | 50    | 39    |
| 10SX190/3C/A | 70                        | 51   |                   | 128 | 111   | 106   | 100   | 93    | 86    | 77    | 68    | 58    | 47    |
| 10SX190/3A/A | 75                        | 55   |                   | 131 | 113   | 109   | 104   | 98    | 91    | 83    | 75    | 66    | 56    |
| 10SX190/4K/A | 80                        | 59   |                   | 156 | 136   | 129   | 121   | 112   | 102   | 91    | 79    | 66    | 51    |
| 10SX190/4C/A | 90                        | 66   |                   | 171 | 147   | 141   | 133   | 124   | 115   | 103   | 91    | 78    | 63    |



### Dimensiones y Pesos

| Modelo       | CV<br>hp | kW   | A<br>mm | B<br>mm | C<br>mm | D<br>mm | Ømax<br>mm | DN            | A<br>kg | B<br>kg | C<br>kg |
|--------------|----------|------|---------|---------|---------|---------|------------|---------------|---------|---------|---------|
| 10SX190/1V/A | 15       | 11   | 1427    | 660     | 767     | 145     | 254        | G6"<br>DN 150 | 103     | 42      | 61      |
| 10SX190/1P/A | 20       | 15   | 1487    | 660     | 827     |         |            |               | 111     | 42      | 69      |
| 10SX190/1G/A | 25       | 18,5 | 1557    | 660     | 897     |         |            |               | 116     | 42      | 74      |
| 10SX190/1A/A | 30       | 22   | 1627    | 660     | 967     |         |            |               | 123     | 42      | 81      |
| 10SX190/2R/A | 35       | 26   | 1876    | 849     | 1027    |         |            |               | 147     | 57      | 90      |
| 10SX190/2K/A | 40       | 30   | 1898    | 849     | 1049    | 192     |            |               | 194     | 57      | 137     |
| 10SX190/2A/A | 50       | 37   | 1968    | 849     | 1119    |         |            |               | 214     | 57      | 157     |
| 10SX190/3K/A | 60       | 45   | 2267    | 1038    | 1229    |         |            |               | 242     | 73      | 169     |
| 10SX190/3C/A | 70       | 51   | 2267    | 1038    | 1229    |         |            |               | 243     | 73      | 170     |
| 10SX190/3A/A | 75       | 55   | 2387    | 1038    | 1349    |         |            |               | 267     | 73      | 194     |
| 10SX190/4K/A | 80       | 59   | 2576    | 1227    | 1349    |         |            |               | 282     | 88      | 194     |
| 10SX190/4C/A | 90       | 66   | 2646    | 1227    | 1419    |         |            |               | 298     | 88      | 210     |

\*Esta electrobomba no se recomienda para el montaje horizontal.

### Aplicaciones



Abastecimiento Público



Aumentos de Presión en Red



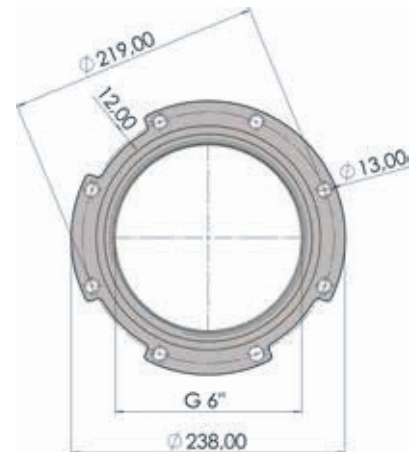
Industria



Riego y Agricultura



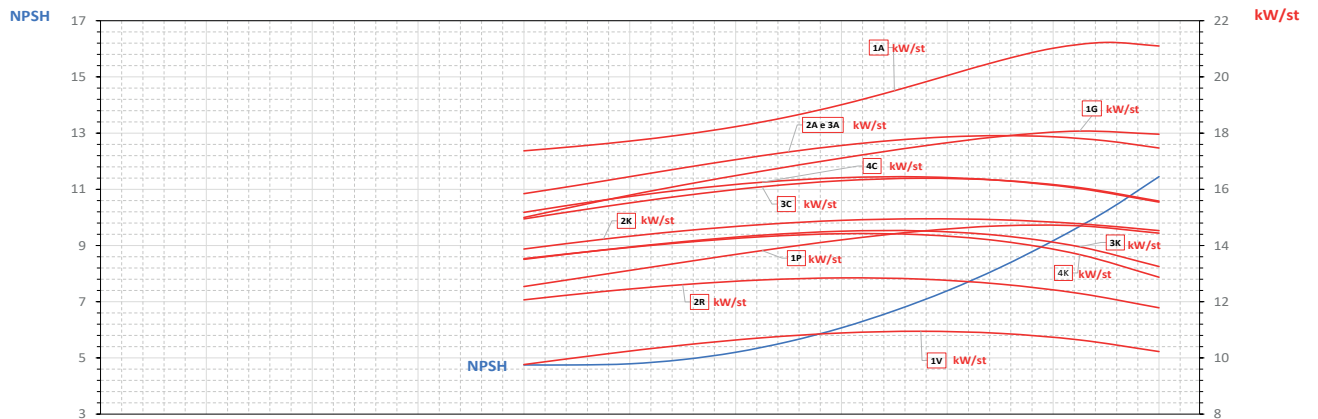
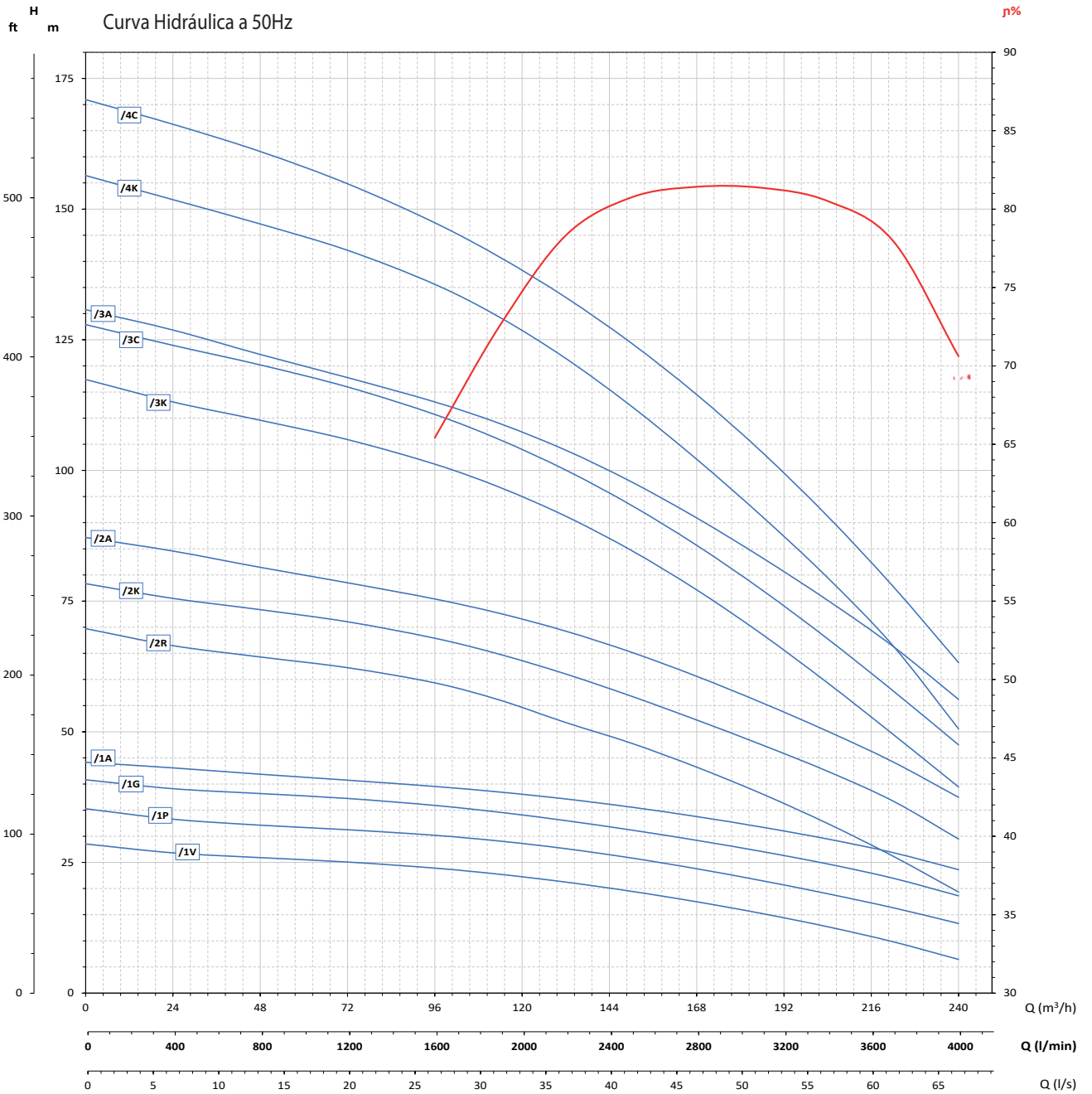
Bombeo Solar



Medidas brida cuerpo Impulsión (mm)

# 10SX-190

Bombas Sumergibles Acero Inoxidable



Rendimiento máximo **81,70%**

Absorción máxima por etapa **1A = 21,23 kW/st - 1G = 18,1 kW/st - 1P = 14,7 kW/st - 1V = 10,9 kW/st - 2A e 3A = 17,91 kW/st - 2K = 14,95 kW/st - 2R = 12,85 kW/st - 3C = 16,4 kW/st - 3K = 14,54 kW/st - 4C = 16,45 kW/st - 4K = 14,43 kW/st**

Las condiciones de trabajo han sido tomadas en las siguientes condiciones: Agua a 15°C, presión atmosférica 1bar y densidad específica 1gr/cm<sup>3</sup>, según ISO 9906 Anex A.

Debido a continuas mejoras en el diseño EMC BOMBAS se reserva el derecho a hacer modificaciones sin previo aviso

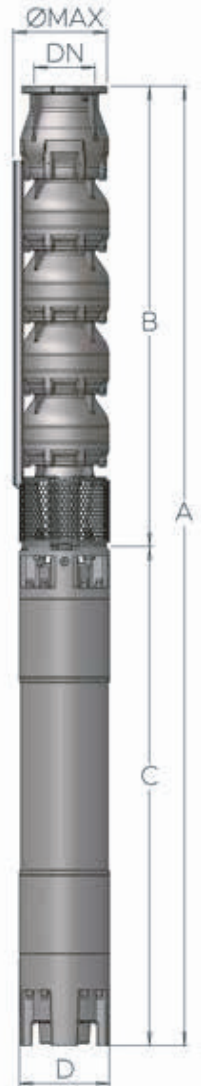
# 10SX-190

## Bombas Sumergibles Acero Inoxidable



### Características Hidráulicas a 50Hz

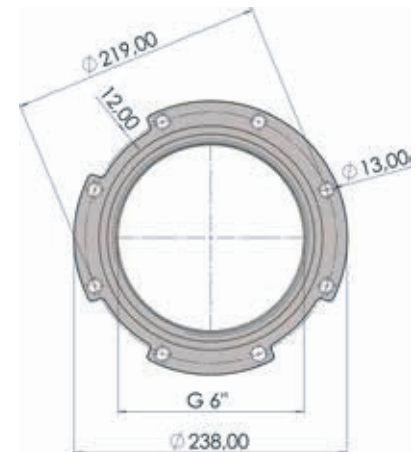
| Modelo         | Motor <sup>2900 rpm</sup> |     | Q = Caudal |     |       |       |       |       |       |       |       |       |       |
|----------------|---------------------------|-----|------------|-----|-------|-------|-------|-------|-------|-------|-------|-------|-------|
|                |                           |     | m³/h       | 0   | 96    | 114   | 132   | 150   | 168   | 186   | 204   | 222   | 240   |
|                | CV hp                     | kW  | l/min      | 0   | 1600  | 1900  | 2200  | 2500  | 2800  | 3100  | 3400  | 3700  | 4000  |
|                |                           |     | l/s        | 0   | 26,67 | 31,67 | 36,67 | 41,67 | 46,67 | 51,67 | 56,67 | 61,67 | 66,67 |
| 10SX190/4A/A   | 100                       | 75  | 176        | 150 | 144   | 137   | 129   | 119   | 109   | 98    | 85    | 70    |       |
| 10SX190/5A/A   | 125                       | 92  | 219        | 187 | 180   | 171   | 161   | 149   | 136   | 122   | 107   | 87    |       |
| 10SX190/6A/A   | 150                       | 110 | 263        | 225 | 216   | 206   | 193   | 179   | 164   | 147   | 128   | 105   |       |
| 10SX190/7A/A   | 180                       | 132 | 306        | 261 | 252   | 242   | 225   | 205   | 185   | 166   | 144   | 117   |       |
| 10SX190/8A/A   | 180                       | 132 | 350        | 298 | 288   | 276   | 257   | 234   | 212   | 189   | 165   | 133   |       |
| 10SX190/9A/A   | 200                       | 150 | 393        | 336 | 324   | 311   | 289   | 263   | 238   | 213   | 185   | 150   |       |
| 10SX190/10A/A* | 230                       | 170 | 437        | 373 | 360   | 346   | 321   | 293   | 265   | 237   | 206   | 166   |       |
| 10SX190/11A/A* | 260                       | 190 | 481        | 412 | 398   | 381   | 356   | 323   | 290   | 256   | 219   | 174   |       |
| 10SX190/12A/A* | 300                       | 220 | 525        | 449 | 434   | 416   | 388   | 352   | 316   | 279   | 239   | 190   |       |
| 10SX190/13A/A* | 300                       | 220 | 568        | 487 | 470   | 450   | 421   | 382   | 343   | 303   | 259   | 206   |       |
| 10SX190/14A/A* | 340                       | 250 | 612        | 524 | 507   | 485   | 453   | 411   | 369   | 326   | 279   | 221   |       |
| 10SX190/15A/A* | 400                       | 300 | 656        | 562 | 543   | 520   | 485   | 440   | 395   | 349   | 299   | 237   |       |



### Dimensiones y Pesos

| Modelo         | CV hp | kW  | A mm | B mm | C mm | D mm | Ømax mm | DN            | A kg | B kg | C kg |
|----------------|-------|-----|------|------|------|------|---------|---------------|------|------|------|
| 10SX190/4A/A   | 100   | 75  | 2836 | 1227 | 1609 | 192  | 254     | G6"<br>DN 150 | 329  | 88   | 241  |
| 10SX190/5A/A   | 125   | 92  | 2984 | 1416 | 1568 | 240  |         |               | 453  | 104  | 349  |
| 10SX190/6A/A   | 150   | 110 | 3313 | 1605 | 1708 |      |         |               | 477  | 119  | 358  |
| 10SX190/7A/A   | 180   | 132 | 3602 | 1794 | 1808 |      |         |               | 552  | 135  | 417  |
| 10SX190/8A/A   | 180   | 132 | 3791 | 1983 | 1808 |      |         |               | 567  | 150  | 417  |
| 10SX190/9A/A   | 200   | 150 | 4100 | 2172 | 1928 |      |         |               | 625  | 165  | 460  |
| 10SX190/10A/A* | 230   | 170 | 4389 | 2361 | 2028 |      |         |               | 664  | 180  | 484  |
| 10SX190/11A/A* | 260   | 190 | 4678 | 2550 | 2128 |      |         |               | 716  | 196  | 520  |
| 10SX190/12A/A* | 300   | 220 | 4976 | 2739 | 2237 |      |         |               | 911  | 211  | 700  |
| 10SX190/13A/A* | 300   | 220 | 5165 | 2928 | 2237 |      |         |               | 926  | 226  | 700  |
| 10SX190/14A/A* | 340   | 250 | 5525 | 3118 | 2407 | 1016 | 241     | 775           |      |      |      |
| 10SX190/15A/A* | 400   | 300 | 5714 | 3307 | 2407 | 1031 | 256     | 775           |      |      |      |

\*Esta electrobomba no se recomienda para el montaje horizontal.



Medidas brida cuerpo Impulsión (mm)

### Aplicaciones



Abastecimiento Público



Aumentos de Presión en Red



Industria



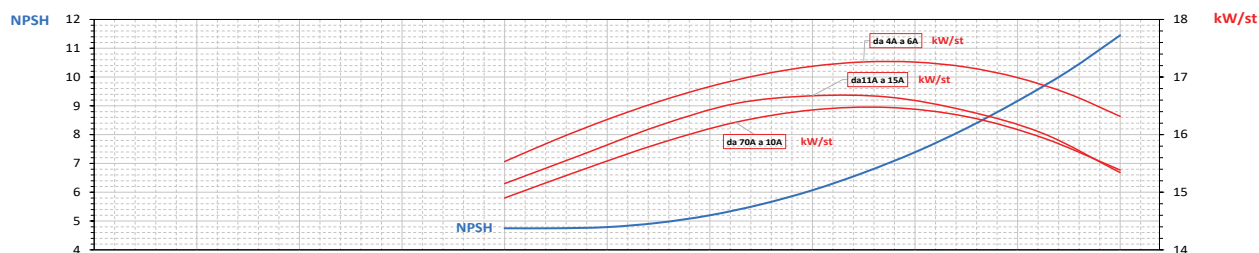
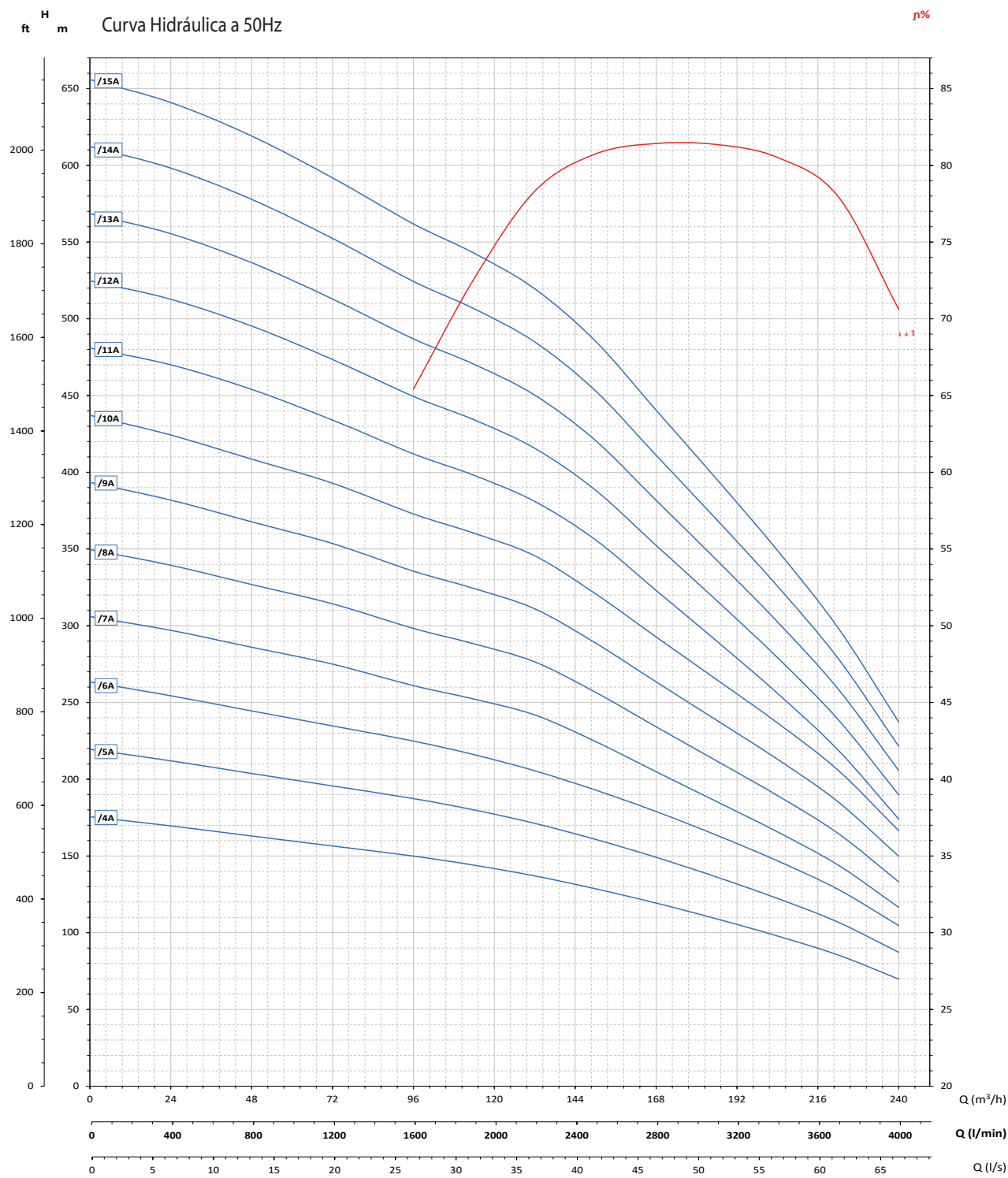
Riego y Agricultura



Bombeo Solar

# 10SX-190

## Bombas Sumergibles Acero Inoxidable



Rendimiento máximo **81,70%**

Absorción máxima por etapa da 4A a 6A = **17,27 kW/st** - da 7A a 10A = **16,48 kW/st** - da 11A a 15A = **16,68 kW/st**

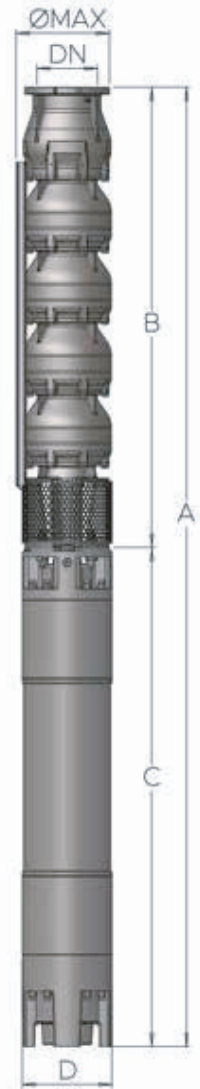
# 10SX-220

## Bombas Sumergibles Acero Inoxidable



### Características Hidráulicas a 50Hz

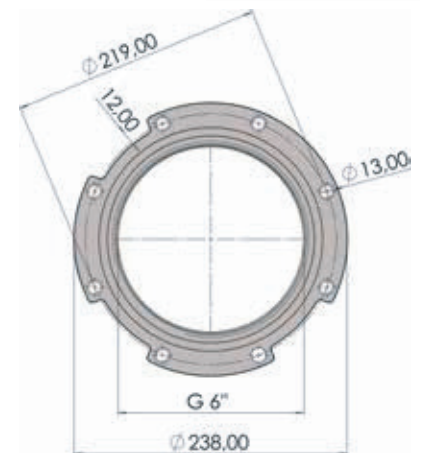
| Modelo       | Motor <sup>2900 rpm</sup> |      | Q = Caudal |     |       |      |       |       |      |       |       |      |       |
|--------------|---------------------------|------|------------|-----|-------|------|-------|-------|------|-------|-------|------|-------|
|              | CV hp                     | kW   | m³/h       | 0   | 84    | 108  | 132   | 156   | 180  | 204   | 228   | 252  | 276   |
|              |                           |      | l/min      | 0   | 1400  | 1800 | 2200  | 2600  | 3000 | 3400  | 3800  | 4200 | 4600  |
|              |                           |      | l/s        | 0   | 23,33 | 30   | 36,67 | 43,33 | 50   | 56,67 | 63,33 | 70   | 76,67 |
| 10SX220/1Y/A | 15                        | 11   | H(m)       | 27  | 23    | 22   | 20    | 18    | 16   | 13    | 10    | 5    |       |
| 10SX220/1T/A | 20                        | 15   |            | 34  | 30    | 28   | 27    | 25    | 22   | 19    | 16    | 12   | 7     |
| 10SX220/1P/A | 25                        | 18,5 |            | 39  | 35    | 33   | 32    | 29    | 27   | 24    | 21    | 17   | 12    |
| 10SX220/1A/A | 30                        | 22   |            | 44  | 40    | 39   | 37    | 35    | 33   | 30    | 27    | 23   | 19    |
| 10SX220/2V/A | 35                        | 26   |            | 66  | 58    | 54   | 50    | 45    | 39   | 33    | 25    | 17   | 7     |
| 10SX220/2R/A | 40                        | 30   |            | 76  | 67    | 64   | 60    | 55    | 49   | 42    | 35    | 26   | 17    |
| 10SX220/2E/A | 50                        | 37   |            | 86  | 77    | 73   | 69    | 64    | 58   | 52    | 44    | 36   | 27    |
| 10SX220/2A/A | 60                        | 45   |            | 89  | 78    | 75   | 71    | 66    | 61   | 55    | 48    | 40   | 30    |
| 10SX220/3J/A | 70                        | 51   |            | 124 | 110   | 105  | 98    | 90    | 80   | 70    | 58    | 46   | 32    |
| 10SX220/3A/A | 75                        | 55   |            | 133 | 117   | 112  | 106   | 98    | 89   | 79    | 68    | 56   | 40    |
| 10SX220/4L/A | 90                        | 66   |            | 165 | 145   | 139  | 131   | 121   | 106  | 91    | 74    | 56   | 37    |



### Dimensiones y Pesos

| Modelo       | CV hp | kW   | A mm | B mm | C mm | D mm | Ømax mm | DN            | A kg | B kg | C kg |
|--------------|-------|------|------|------|------|------|---------|---------------|------|------|------|
| 10SX220/1Y/A | 15    | 11   | 1427 | 660  | 767  | 145  | 254     | G6"<br>DN 150 | 103  | 42   | 61   |
| 10SX220/1T/A | 20    | 15   | 1487 | 660  | 827  |      |         |               | 111  | 42   | 69   |
| 10SX220/1P/A | 25    | 18,5 | 1557 | 660  | 897  |      |         |               | 116  | 42   | 74   |
| 10SX220/2V/A | 35    | 26   | 1876 | 849  | 1027 |      |         |               | 147  | 57   | 90   |
| 10SX220/2R/A | 40    | 30   | 1898 | 849  | 1049 | 192  |         |               | 194  | 57   | 137  |
| 10SX220/2E/A | 50    | 37   | 1968 | 849  | 1119 |      |         |               | 214  | 57   | 157  |
| 10SX220/2A/A | 60    | 45   | 2078 | 849  | 1229 |      |         |               | 226  | 57   | 169  |
| 10SX220/3J/A | 70    | 51   | 2267 | 1038 | 1229 |      |         |               | 241  | 71   | 170  |
| 10SX220/3A/A | 75    | 55   | 2387 | 1038 | 1349 |      |         |               | 265  | 71   | 194  |
| 10SX220/4L/A | 90    | 66   | 2646 | 1227 | 1419 |      |         |               | 296  | 86   | 210  |

\*Esta electrobomba no se recomienda para el montaje horizontal.



Medidas brida cuerpo Impulsión (mm)

### Aplicaciones



Las condiciones de trabajo han sido tomadas en las siguientes condiciones: Agua a 15°C, presión atmosférica 1bar y densidad específica 1gr/cm³, según ISO 9906 Anex A.

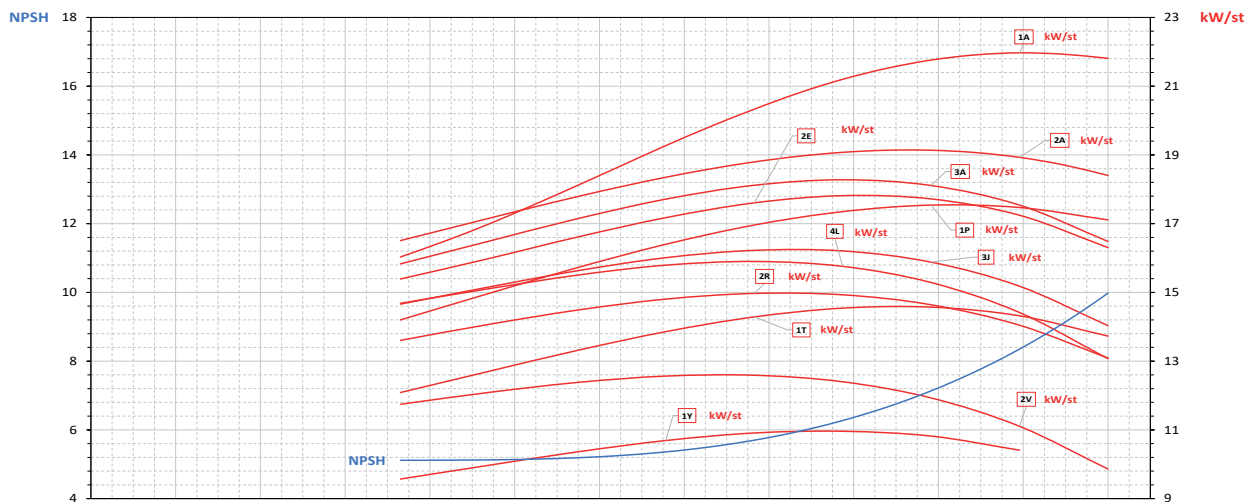
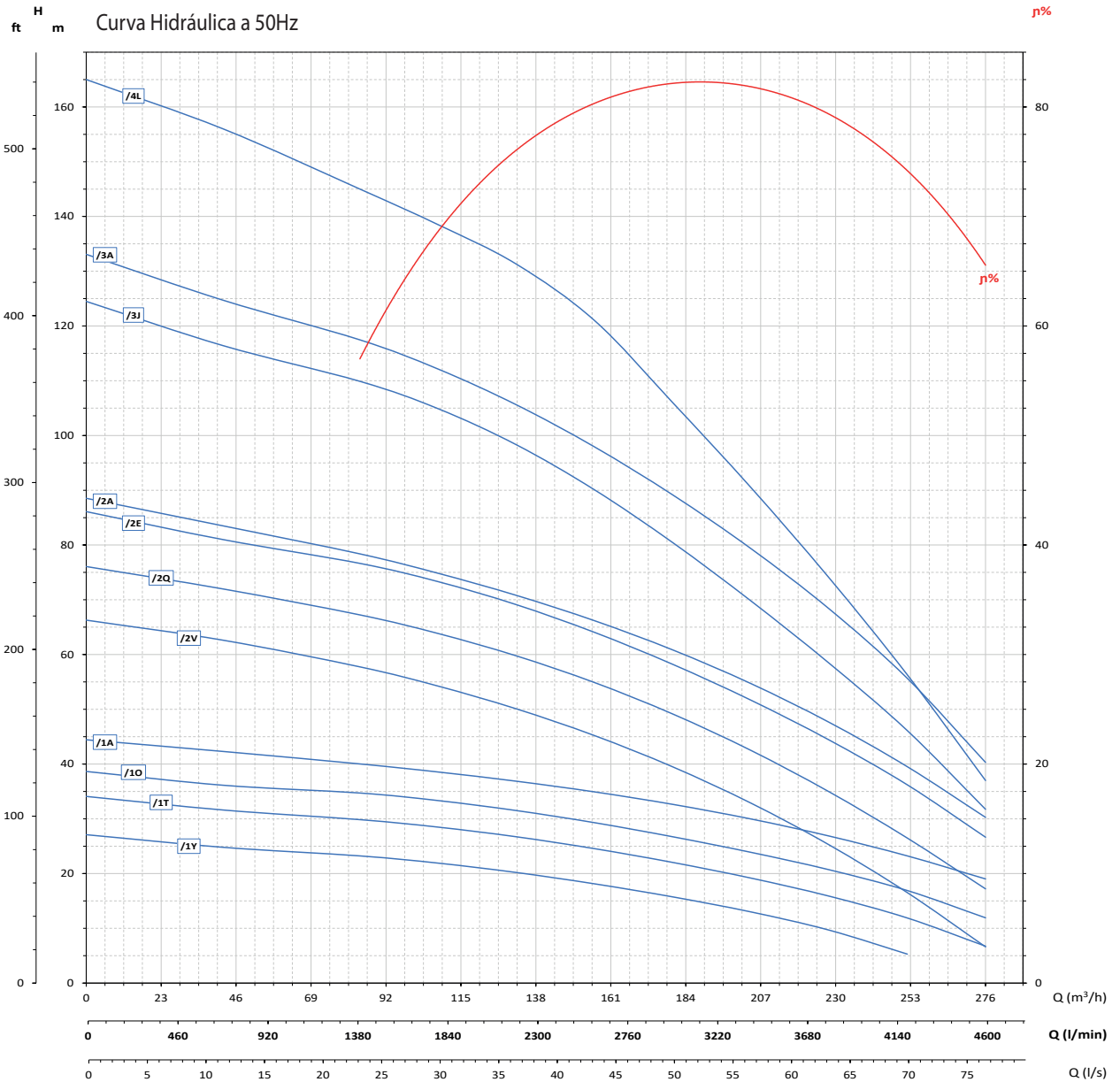
Debido a continuas mejoras en el diseño EMC BOMBAS se reserva el derecho a hacer modificaciones sin previo aviso

# 10SX-220

Bombas Sumergibles Acero Inoxidable



ft m Curva Hidráulica a 50Hz



Rendimiento máximo 82,10%

Absorción máxima por etapa 1A = 21,97 kW/st - 1P = 17,5 kW/st - 1T = 14,6 kW/st - 1Y = 11 kW/st - 2A = 19,14 kW/st - 2E = 17,8 kW/st - 2R = 14,95 kW/st - 2V = 12,6 kW/st 3A = 18,28 kW/st - 3J = 16,24 kW/st - 4L = 15,9 kW/st

Las condiciones de trabajo han sido tomadas en las siguientes condiciones: Agua a 15°C, presión atmosférica 1bar y densidad específica 1gr/cm³, según ISO 9906 Anex A.

Debido a continuas mejoras en el diseño EMC BOMBAS se reserva el derecho a hacer modificaciones sin previo aviso

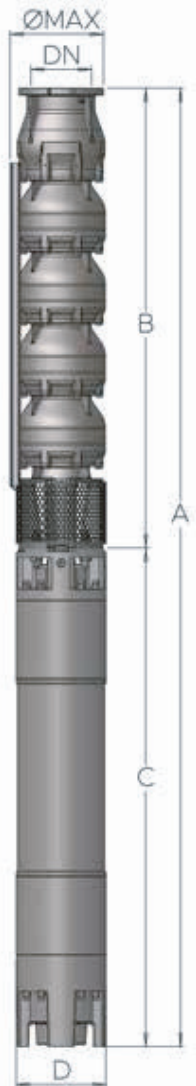
# 10SX-220

## Bombas Sumergibles Acero Inoxidable



### Características Hidráulicas a 50Hz

| Modelo         | Motor <sup>2900 rpm</sup> |     | Q = Caudal        |     |       |      |       |       |      |       |       |      |       |
|----------------|---------------------------|-----|-------------------|-----|-------|------|-------|-------|------|-------|-------|------|-------|
|                |                           |     | m <sup>3</sup> /h | 0   | 84    | 108  | 132   | 156   | 180  | 204   | 228   | 252  | 276   |
|                | CV hp                     | kW  | l/min             | 0   | 1400  | 1800 | 2200  | 2600  | 3000 | 3400  | 3800  | 4200 | 4600  |
|                |                           |     | l/s               | 0   | 23,33 | 30   | 36,67 | 43,33 | 50   | 56,67 | 63,33 | 70   | 76,67 |
| 10SX220/4A/A   | 100                       | 75  | H(m)              | 177 | 156   | 149  | 140   | 130   | 118  | 104   | 88    | 70   | 51    |
| 10SX220/5A/A   | 125                       | 92  |                   | 221 | 195   | 186  | 176   | 163   | 147  | 130   | 109   | 87   | 62    |
| 10SX220/6A/A   | 150                       | 110 |                   | 265 | 235   | 224  | 211   | 195   | 177  | 156   | 131   | 104  | 74    |
| 10SX220/7A/A   | 180                       | 132 |                   | 312 | 271   | 258  | 243   | 226   | 207  | 184   | 158   | 127  | 94    |
| 10SX220/8A/A   | 200                       | 150 |                   | 356 | 309   | 294  | 278   | 259   | 236  | 210   | 180   | 145  | 107   |
| 10SX220/9A/A*  | 230                       | 170 |                   | 401 | 348   | 331  | 312   | 291   | 266  | 237   | 203   | 163  | 121   |
| 10SX220/10A/A* | 260                       | 190 |                   | 445 | 395   | 376  | 355   | 326   | 293  | 256   | 218   | 178  | 128   |
| 10SX220/11A/A* | 300                       | 220 |                   | 490 | 435   | 414  | 391   | 359   | 322  | 282   | 240   | 196  | 140   |
| 10SX220/12A/A* | 300                       | 220 |                   | 534 | 474   | 451  | 426   | 392   | 352  | 308   | 262   | 214  | 153   |
| 10SX220/13A/A* | 340                       | 250 |                   | 579 | 514   | 489  | 462   | 424   | 381  | 333   | 284   | 232  | 166   |
| 10SX220/14A/A* | 340                       | 250 |                   | 623 | 553   | 526  | 497   | 457   | 410  | 359   | 306   | 249  | 179   |
| 10SX220/15A/A* | 400                       | 300 |                   | 668 | 593   | 564  | 533   | 489   | 440  | 384   | 327   | 267  | 191   |



### Dimensiones y Pesos

| Modelo         | CV hp | kW  | A mm | B mm | C mm | D mm | Ømax mm | DN            | A kg | B kg | C kg |
|----------------|-------|-----|------|------|------|------|---------|---------------|------|------|------|
| 10SX220/4A/A   | 100   | 75  | 2836 | 1227 | 1609 | 192  | 254     | G6"<br>DN 150 | 327  | 86   | 241  |
| 10SX220/5A/A   | 125   | 92  | 2984 | 1416 | 1568 | 240  |         |               | 452  | 103  | 349  |
| 10SX220/6A/A   | 150   | 110 | 3313 | 1605 | 1708 |      |         |               | 476  | 118  | 358  |
| 10SX220/7A/A   | 180   | 132 | 3602 | 1794 | 1808 |      |         |               | 550  | 133  | 417  |
| 10SX220/8A/A   | 200   | 150 | 3911 | 1983 | 1928 |      |         |               | 608  | 148  | 460  |
| 10SX220/9A/A*  | 230   | 170 | 4200 | 2172 | 2028 |      |         |               | 647  | 163  | 484  |
| 10SX220/10A/A* | 260   | 190 | 4489 | 2361 | 2128 |      |         |               | 698  | 178  | 520  |
| 10SX220/11A/A* | 300   | 220 | 4787 | 2550 | 2237 | 286  |         |               | 893  | 193  | 700  |
| 10SX220/12A/A* | 300   | 220 | 4976 | 2739 | 2237 |      |         |               | 908  | 208  | 700  |
| 10SX220/13A/A* | 340   | 250 | 5335 | 2928 | 2407 |      |         |               | 998  | 223  | 775  |
| 10SX220/14A/A* | 340   | 250 | 5525 | 3118 | 2407 |      |         |               | 1013 | 238  | 775  |
| 10SX220/15A/A* | 400   | 300 | 5714 | 3307 | 2407 |      |         |               | 1028 | 253  | 775  |

\*Esta electrobomba no se recomienda para el montaje horizontal.

### Aplicaciones



Abastecimiento Público



Aumentos de Presión en Red



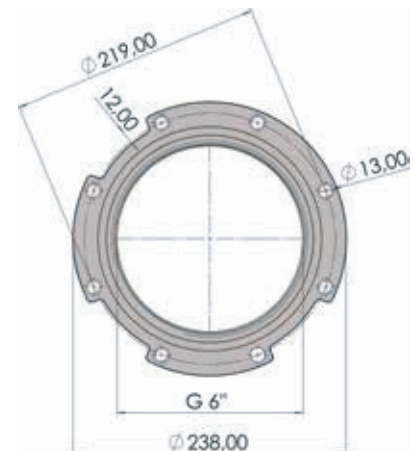
Industria



Riego y Agricultura



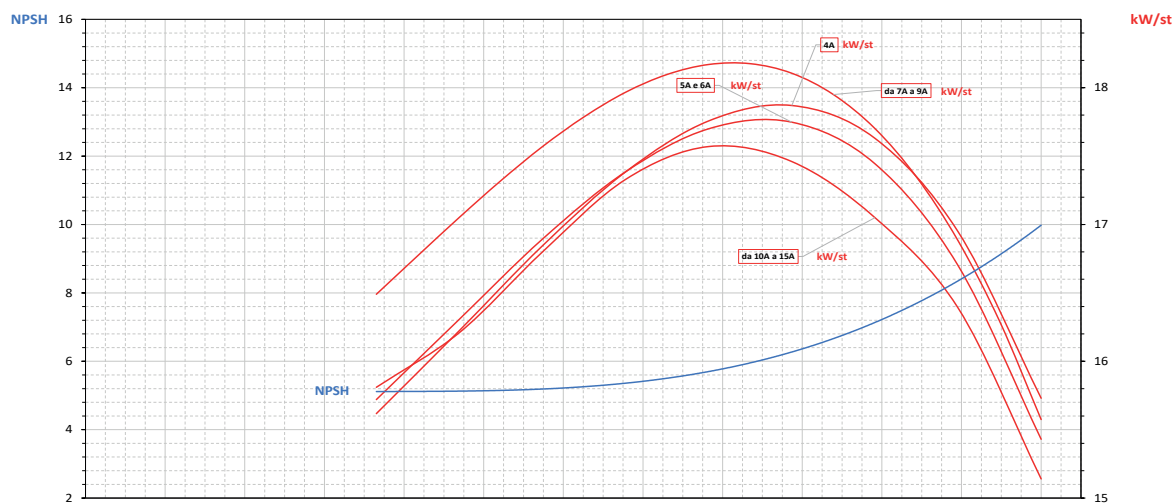
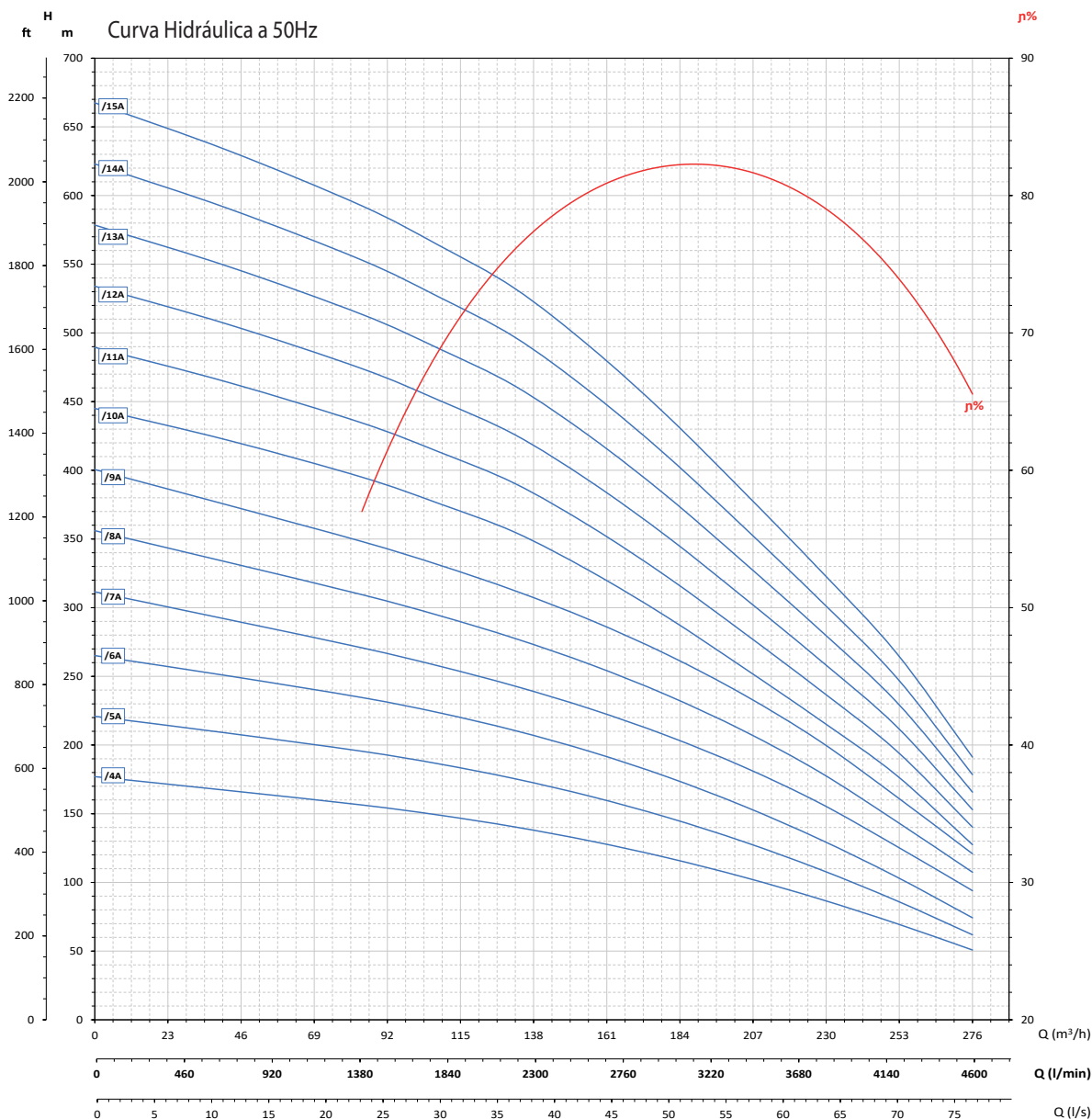
Bombeo Solar



Medidas brida cuerpo Impulsión (mm)

# 10SX-220

## Bombas Sumergibles Acero Inoxidable



**Rendimiento máximo 82,10%**

**Absorción máxima por etapa 4A = 17,88 kW/st - 4L = 15,9 kW/st - 5A e 6A = 17,76 kW/st - da 7A a 9A = 18,18 kW/st - da 10A a 15A = 17,57 kW/st**

Las condiciones de trabajo han sido tomadas en las siguientes condiciones: Agua a 15°C, presión atmosférica 1bar y densidad específica 1gr/cm³, según ISO 9906 Anex A.

Debido a continuas mejoras en el diseño EMC BOMBAS se reserva el derecho a hacer modificaciones sin previo aviso

# 10SX-250

## Bombas Sumergibles Acero Inoxidable



Características Hidráulicas a 50Hz

| Modelo       | Motor <sup>2900 rpm</sup> |      | Q = Caudal        |     |       |       |      |       |       |      |       |      |       |
|--------------|---------------------------|------|-------------------|-----|-------|-------|------|-------|-------|------|-------|------|-------|
|              |                           |      | m <sup>3</sup> /h | 0   | 60    | 120   | 144  | 156   | 192   | 216  | 264   | 288  | 312   |
|              | CV hp                     | kW   | l/min             | 0   | 1000  | 2000  | 2400 | 2600  | 3200  | 3600 | 4400  | 4800 | 5200  |
|              |                           |      | l/s               | 0   | 16,67 | 33,33 | 40   | 43,33 | 53,33 | 60   | 73,33 | 80   | 86,67 |
| 10SX250/1V/B | 20                        | 15   | H(m)              | 33  | 30    | 27    | 25   | 24    | 21    | 19   | 12    | 8    | 3     |
| 10SX250/1R/B | 25                        | 18,5 |                   | 38  | 34    | 31    | 30   | 29    | 26    | 24   | 17    | 13   | 7     |
| 10SX250/1E/B | 30                        | 22   |                   | 42  | 38    | 35    | 33   | 32    | 29    | 27   | 21    | 17   | 12    |
| 10SX250/1A/B | 35                        | 26   |                   | 45  | 41    | 37    | 36   | 35    | 32    | 30   | 25    | 21   | 16    |
| 10SX250/2T/B | 40                        | 30   |                   | 72  | 66    | 58    | 54   | 52    | 45    | 40   | 26    | 16   | 5     |
| 10SX250/2L/B | 50                        | 37   |                   | 83  | 76    | 68    | 64   | 61    | 54    | 48   | 35    | 27   | 17    |
| 10SX250/2A/B | 60                        | 45   |                   | 90  | 82    | 74    | 70   | 68    | 61    | 56   | 43    | 35   | 26    |
| 10SX250/3P/B | 70                        | 51   |                   | 121 | 111   | 98    | 91   | 88    | 76    | 67   | 46    | 34   | 20    |
| 10SX250/3J/B | 75                        | 55   |                   | 128 | 116   | 102   | 96   | 93    | 81    | 73   | 51    | 38   | 23    |
| 10SX250/3A/B | 85                        | 62   |                   | 135 | 123   | 109   | 103  | 100   | 90    | 82   | 63    | 50   | 35    |
| 10SX250/4P/B | 90                        | 66   |                   | 161 | 147   | 129   | 120  | 115   | 100   | 88   | 59    | 42   | 22    |
| 10SX250/4E/B | 100                       | 75   |                   | 173 | 156   | 138   | 129  | 124   | 109   | 97   | 68    | 51   | 32    |



| Dimensiones y Pesos |       |      |      |      |      |      |         |               |      |      |      |  |
|---------------------|-------|------|------|------|------|------|---------|---------------|------|------|------|--|
| Modelo              | CV hp | kW   | A mm | B mm | C mm | D mm | Ømax mm | DN            | A kg | B kg | C kg |  |
| 10SX250/1V/B        | 20    | 15   | 1487 | 660  | 827  | 145  | 254     | G6"<br>DN 150 | 111  | 42   | 69   |  |
| 10SX250/1R/B        | 25    | 18,5 | 1557 | 660  | 897  |      |         |               | 116  | 42   | 74   |  |
| 10SX250/1E/B        | 30    | 22   | 1627 | 660  | 967  |      |         |               | 123  | 42   | 81   |  |
| 10SX250/1A/B        | 35    | 26   | 1687 | 660  | 1027 |      |         |               | 132  | 42   | 90   |  |
| 10SX250/2T/B        | 40    | 30   | 1898 | 849  | 1049 |      |         |               | 194  | 57   | 137  |  |
| 10SX250/2L/B        | 50    | 37   | 1968 | 849  | 1119 | 192  |         |               | 214  | 57   | 157  |  |
| 10SX250/2A/B        | 60    | 45   | 2078 | 849  | 1229 |      |         |               | 226  | 57   | 169  |  |
| 10SX250/3P/B        | 70    | 51   | 2267 | 1038 | 1229 |      |         |               | 242  | 72   | 170  |  |
| 10SX250/3J/B        | 75    | 55   | 2387 | 1038 | 1349 |      |         |               | 266  | 72   | 194  |  |
| 10SX250/3A/B        | 85    | 62   | 2387 | 1038 | 1349 |      |         |               | 266  | 72   | 194  |  |
| 10SX250/4P/B        | 90    | 66   | 2646 | 1227 | 1419 |      |         |               | 299  | 89   | 210  |  |
| 10SX250/4E/B/B      | 100   | 75   | 2836 | 1227 | 1609 |      |         |               | 330  | 89   | 241  |  |

\*Esta electrobomba no se recomienda para el montaje horizontal.

### Aplicaciones



Abastecimiento Público



Aumentos de Presión en Red



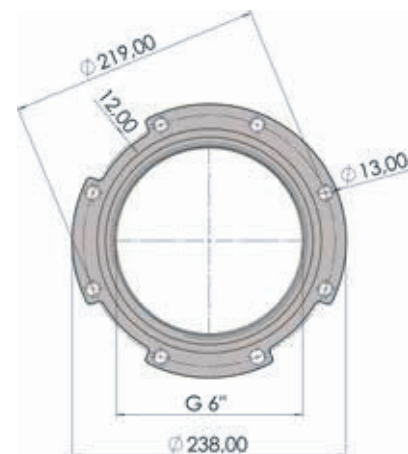
Industria



Riego y Agricultura



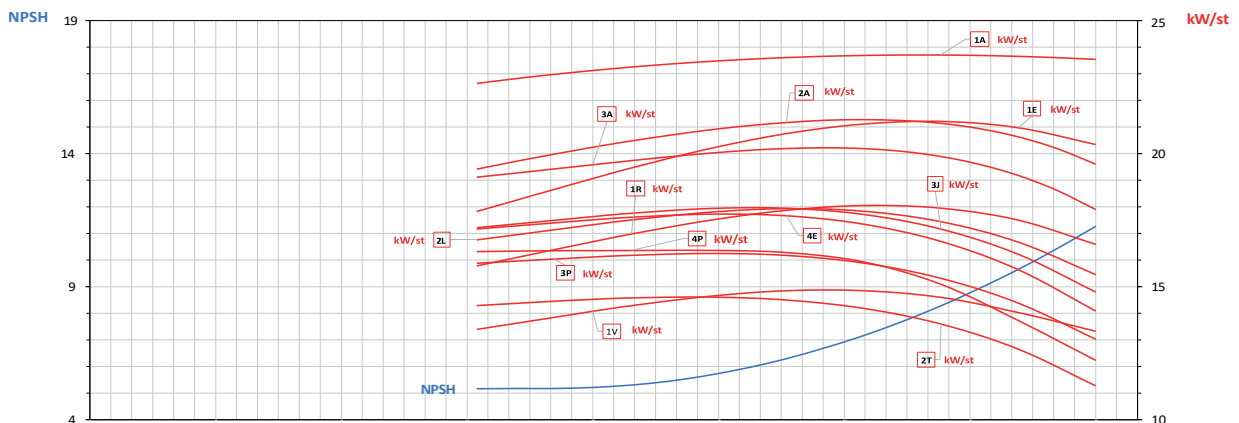
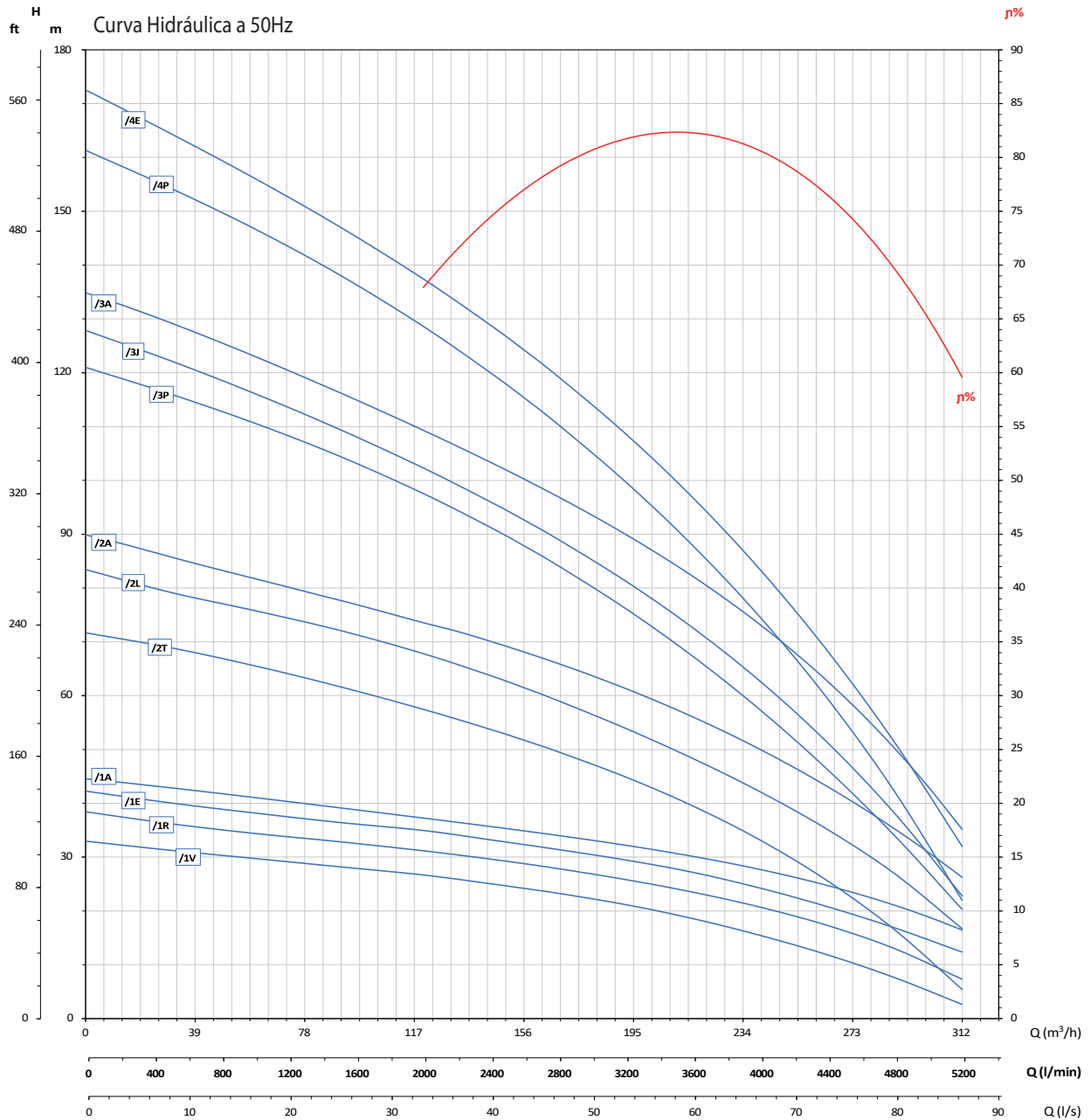
Bombeo Solar



Medidas brida cuerpo Impulsión (mm)

# 10SX-250

Bombas Sumergibles Acero Inoxidable



**Rendimiento máximo 82,30%**

**Absorción máxima por etapa 1A = 23,72 kW/st - 1E = 21,2 kW/st - 1R = 18,1 kW/st - 1V = 14,9 kW/st - 2A = 21,29 kW/st - 2L = 17,95 kW/st - 2T = 14,6 kW/st - 3A = 20,23 kW/st**

**3J = 17,97 kW/st - 3P = 16,27 kW/st - 4E = 17,75 kW/st - 4P = 16,38 kW/st**

Las condiciones de trabajo han sido tomadas en las siguientes condiciones: Agua a 15°C, presión atmosférica 1bar y densidad específica 1gr/cm³, según ISO 9906 Anex A.

Debido a continuas mejoras en el diseño EMC BOMBAS se reserva el derecho a hacer modificaciones sin previo aviso

# 10SX-250

## Bombas Sumergibles Acero Inoxidable



### Características Hidráulicas a 50Hz

| Modelo         | Motor 2900 rpm |     | Q = Caudal |     |       |       |      |       |       |      |       |      |       |
|----------------|----------------|-----|------------|-----|-------|-------|------|-------|-------|------|-------|------|-------|
|                | CV hp          | kW  | m³/h       | 0   | 60    | 120   | 144  | 156   | 192   | 216  | 264   | 288  | 312   |
|                |                |     | l/min      | 0   | 1000  | 2000  | 2400 | 2600  | 3200  | 3600 | 4400  | 4800 | 5200  |
|                |                |     | l/s        | 0   | 16,67 | 33,33 | 40   | 43,33 | 53,33 | 60   | 73,33 | 80   | 86,67 |
| 10SX250/4A/B   | 125            | 92  | H(m)       | 180 | 164   | 146   | 138  | 134   | 120   | 110  | 84    | 67   | 47    |
| 10SX250/5A/B   | 150            | 110 |            | 225 | 205   | 182   | 172  | 167   | 150   | 137  | 105   | 84   | 59    |
| 10SX250/6A/B   | 180            | 132 |            | 267 | 245   | 218   | 205  | 198   | 174   | 156  | 115   | 91   | 64    |
| 10SX250/7A/B   | 200            | 150 |            | 312 | 286   | 254   | 239  | 230   | 203   | 182  | 134   | 106  | 75    |
| 10SX250/8A/B*  | 230            | 170 |            | 356 | 327   | 290   | 273  | 263   | 232   | 208  | 153   | 121  | 86    |
| 10SX250/9A/B*  | 260            | 190 |            | 401 | 368   | 327   | 307  | 296   | 261   | 234  | 172   | 136  | 96    |
| 10SX250/10A/B* | 260            | 190 |            | 446 | 411   | 365   | 343  | 332   | 292   | 262  | 190   | 146  | 96    |
| 10SX250/11A/B* | 300            | 220 |            | 490 | 452   | 402   | 378  | 365   | 322   | 288  | 208   | 160  | 105   |
| 10SX250/12A/B* | 340            | 250 |            | 535 | 493   | 438   | 412  | 398   | 351   | 315  | 227   | 175  | 115   |
| 10SX250/13A/B* | 340            | 250 |            | 580 | 535   | 475   | 447  | 431   | 380   | 341  | 246   | 189  | 124   |
| 10SX250/14A/B* | 400            | 300 |            | 624 | 576   | 511   | 481  | 464   | 409   | 367  | 265   | 204  | 134   |
| 10SX250/15A/B* | 400            | 300 |            | 669 | 617   | 548   | 515  | 498   | 438   | 393  | 284   | 219  | 144   |



### Dimensiones y Pesos

| Modelo         | CV hp | kW  | A mm | B mm | C mm | D mm | Ømax mm | DN            | A kg | B kg | C kg |
|----------------|-------|-----|------|------|------|------|---------|---------------|------|------|------|
| 10SX250/4A/B   | 125   | 92  | 2795 | 1227 | 1568 | 240  | 254     | G6"<br>DN 150 | 438  | 89   | 349  |
| 10SX250/5A/B   | 150   | 110 | 3124 | 1416 | 1708 |      |         |               | 462  | 104  | 358  |
| 10SX250/6A/B   | 180   | 132 | 3413 | 1605 | 1808 |      |         |               | 536  | 119  | 417  |
| 10SX250/7A/B   | 200   | 150 | 3722 | 1794 | 1928 |      |         |               | 595  | 135  | 460  |
| 10SX250/8A/B*  | 230   | 170 | 4011 | 1983 | 2028 |      |         |               | 634  | 150  | 484  |
| 10SX250/9A/B*  | 260   | 190 | 4300 | 2172 | 2128 |      |         |               | 685  | 165  | 520  |
| 10SX250/10A/B* | 260   | 190 | 4489 | 2361 | 2128 |      |         |               | 700  | 180  | 520  |
| 10SX250/11A/B* | 300   | 220 | 4787 | 2550 | 2237 | 286  | 286     | 895           | 195  | 700  |      |
| 10SX250/12A/B* | 340   | 250 | 5146 | 2739 | 2407 |      |         | 986           | 211  | 775  |      |
| 10SX250/13A/B* | 340   | 250 | 5335 | 2928 | 2407 |      |         | 1001          | 226  | 775  |      |
| 10SX250/14A/B* | 400   | 300 | 5525 | 3118 | 2407 |      |         | 1016          | 241  | 775  |      |
| 10SX250/15A/B* | 400   | 300 | 5714 | 3307 | 2407 |      |         | 1031          | 256  | 775  |      |

\*Esta electrobomba no se recomienda para el montaje horizontal.

### Aplicaciones



Abastecimiento Público



Aumentos de Presión en Red



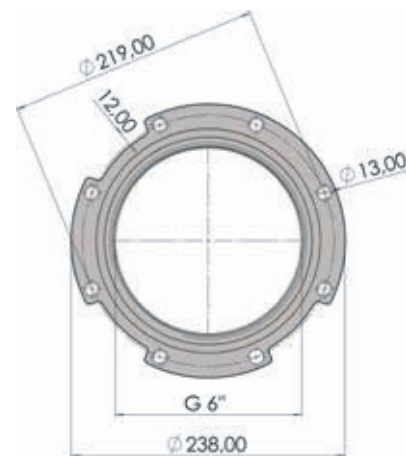
Industria



Riego y Agricultura



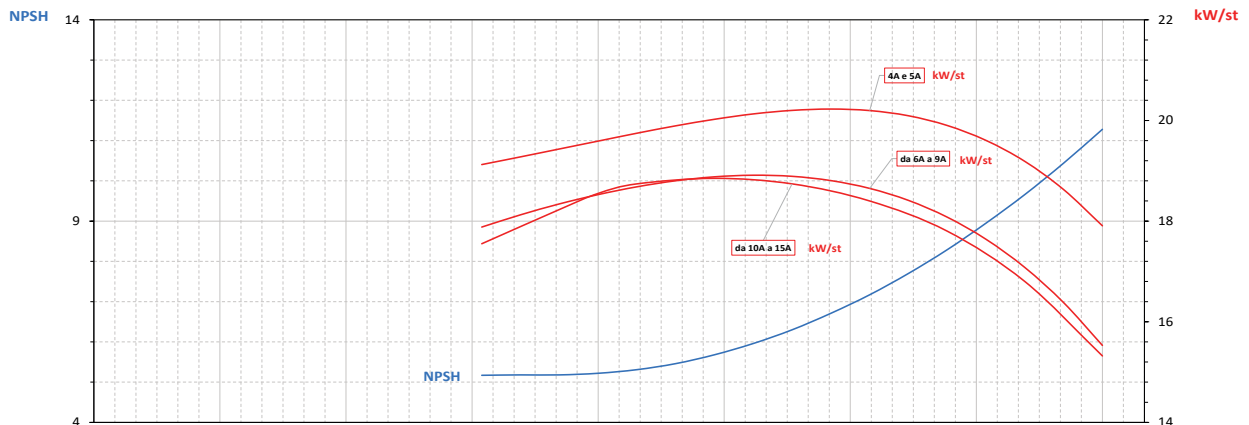
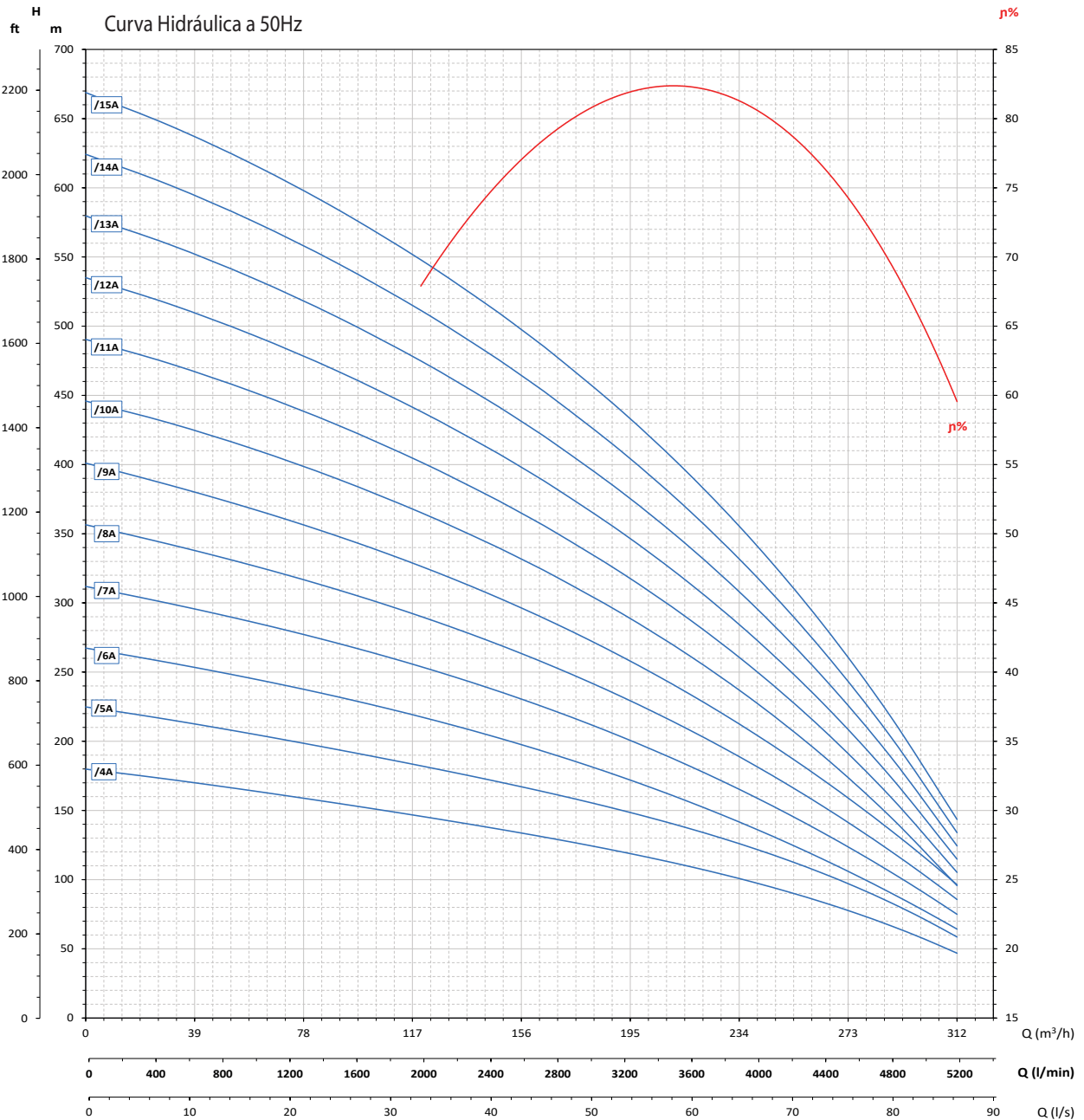
Bombeo Solar



Medidas brida cuerpo Impulsión (mm)

# 10SX-250

## Bombas Sumergibles Acero Inoxidable



Rendimiento máximo **82,30%**

Absorción máxima por etapa 4A e 5A = **20,23 kW/st** - da 6A a 9A = **18,92 kW/st** - da 10A a 15A = **18,85 kW/st**

Las condiciones de trabajo han sido tomadas en las siguientes condiciones: Agua a 15°C, presión atmosférica 1 bar y densidad específica 1gr/cm<sup>3</sup>, según ISO 9906 Anex A.

Debido a continuas mejoras en el diseño EMC BOMBAS se reserva el derecho a hacer modificaciones sin previo aviso

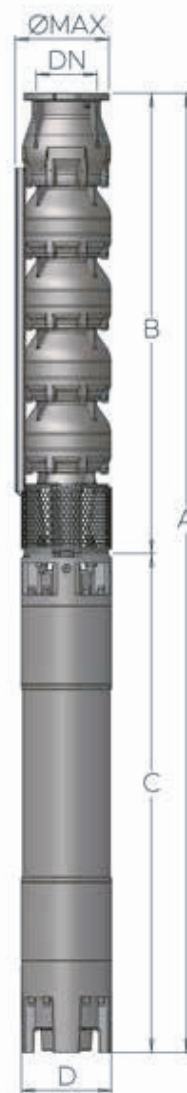
# 10SX-280

## Bombas Sumergibles Acero Inoxidable



### Características Hidráulicas a 50Hz

| Modelo       | Motor <sup>2900 rpm</sup> |      | Q = Caudal |     |       |       |      |       |       |      |       |       |      |
|--------------|---------------------------|------|------------|-----|-------|-------|------|-------|-------|------|-------|-------|------|
|              |                           |      | m³/h       | 0   | 120   | 150   | 180  | 210   | 240   | 270  | 300   | 330   | 360  |
|              | CV hp                     | kW   | l/min      | 0   | 2000  | 2500  | 3000 | 3500  | 4000  | 4500 | 5000  | 5500  | 6000 |
|              |                           |      | l/s        | 0   | 33,33 | 41,67 | 50   | 58,33 | 66,67 | 75   | 83,33 | 91,67 | 100  |
| 10SX280/1X/B | 25                        | 18,5 | H(m)       | 34  | 28    | 27    | 25   | 23    | 20    | 16   | 12    | 7     | 1    |
| 10SX280/1S/B | 30                        | 22   |            | 38  | 32    | 31    | 29   | 27    | 25    | 21   | 17    | 12    | 6    |
| 10SX280/1N/B | 35                        | 26   |            | 41  | 35    | 34    | 32   | 30    | 27    | 24   | 20    | 15    | 9    |
| 10SX280/1A/B | 40                        | 30   |            | 46  | 39    | 38    | 36   | 34    | 32    | 30   | 26    | 22    | 17   |
| 10SX280/2U/B | 50                        | 37   |            | 77  | 64    | 60    | 54   | 49    | 43    | 36   | 27    | 16    | 2    |
| 10SX280/2J/B | 60                        | 45   |            | 90  | 75    | 70    | 65   | 60    | 54    | 47   | 39    | 28    | 13   |
| 10SX280/2A/B | 70                        | 51   |            | 90  | 75    | 71    | 67   | 63    | 58    | 52   | 44    | 34    | 21   |
| 10SX280/3S/B | 75                        | 55   |            | 118 | 101   | 94    | 85   | 75    | 64    | 54   | 41    | 24    | 7    |
| 10SX280/3Q/B | 80                        | 59   |            | 125 | 104   | 97    | 89   | 79    | 69    | 57   | 44    | 26    | 7    |
| 10SX280/3J/B | 90                        | 66   |            | 134 | 113   | 107   | 100  | 91    | 79    | 67   | 54    | 38    | 11   |
| 10SX280/3A/B | 100                       | 75   |            | 139 | 116   | 109   | 102  | 95    | 87    | 78   | 65    | 49    | 27   |
| 10SX280/4A/B | 125                       | 92   |            | 184 | 151   | 142   | 133  | 124   | 113   | 100  | 84    | 63    | 35   |



### Dimensiones y Pesos

| Modelo       | CV hp | kW   | A mm | B mm | C mm | D mm | Ømax mm | DN            | A kg | B kg | C kg |
|--------------|-------|------|------|------|------|------|---------|---------------|------|------|------|
| 10SX280/1X/B | 25    | 18,5 | 1557 | 660  | 897  | 145  | 254     | G6"<br>DN 150 | 116  | 42   | 74   |
| 10SX280/1S/B | 30    | 22   | 1627 | 660  | 967  |      |         |               | 123  | 42   | 81   |
| 10SX280/1N/B | 35    | 26   | 1687 | 660  | 1027 |      |         |               | 132  | 42   | 90   |
| 10SX280/1A/B | 40    | 30   | 1709 | 660  | 1049 |      |         |               | 179  | 42   | 137  |
| 10SX280/2U/B | 50    | 37   | 1968 | 849  | 1119 |      |         |               | 214  | 57   | 157  |
| 10SX280/2J/B | 60    | 45   | 2078 | 849  | 1229 |      |         |               | 226  | 57   | 169  |
| 10SX280/2A/B | 70    | 51   | 2078 | 849  | 1229 |      |         |               | 227  | 57   | 170  |
| 10SX280/3S/B | 75    | 55   | 2387 | 1038 | 1349 |      |         |               | 266  | 72   | 194  |
| 10SX280/3Q/B | 80    | 59   | 2387 | 1038 | 1349 |      |         |               | 266  | 72   | 194  |
| 10SX280/3J/B | 90    | 66   | 2457 | 1038 | 1419 |      |         |               | 282  | 72   | 210  |
| 10SX280/3A/B | 100   | 75   | 2647 | 1038 | 1609 |      |         |               | 313  | 72   | 241  |
| 10SX280/4A/B | 125   | 92   | 2795 | 1227 | 1568 |      |         |               | 438  | 89   | 349  |

\*Esta electrobomba no se recomienda para el montaje horizontal.

### Aplicaciones



Abastecimiento Público



Aumentos de Presión en Red



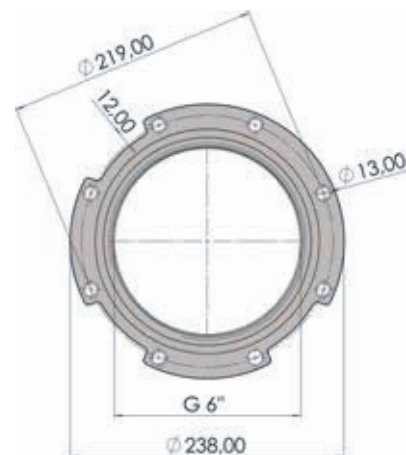
Industria



Riego y Agricultura



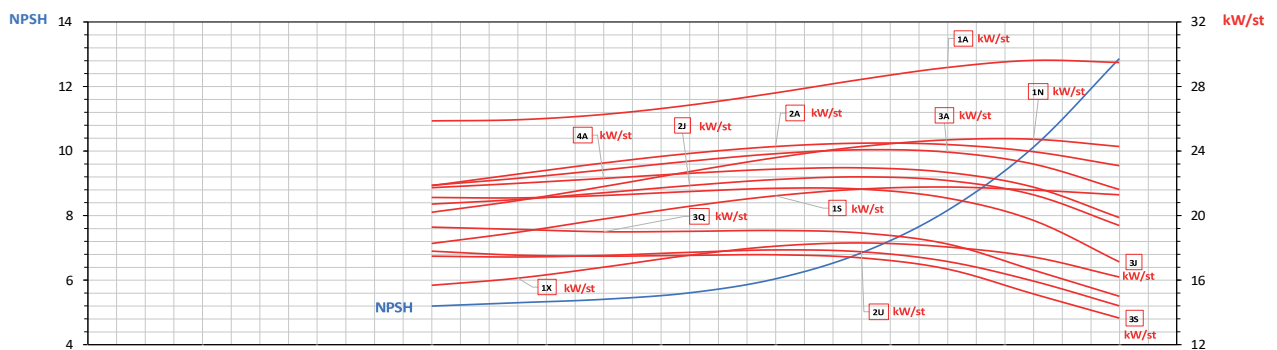
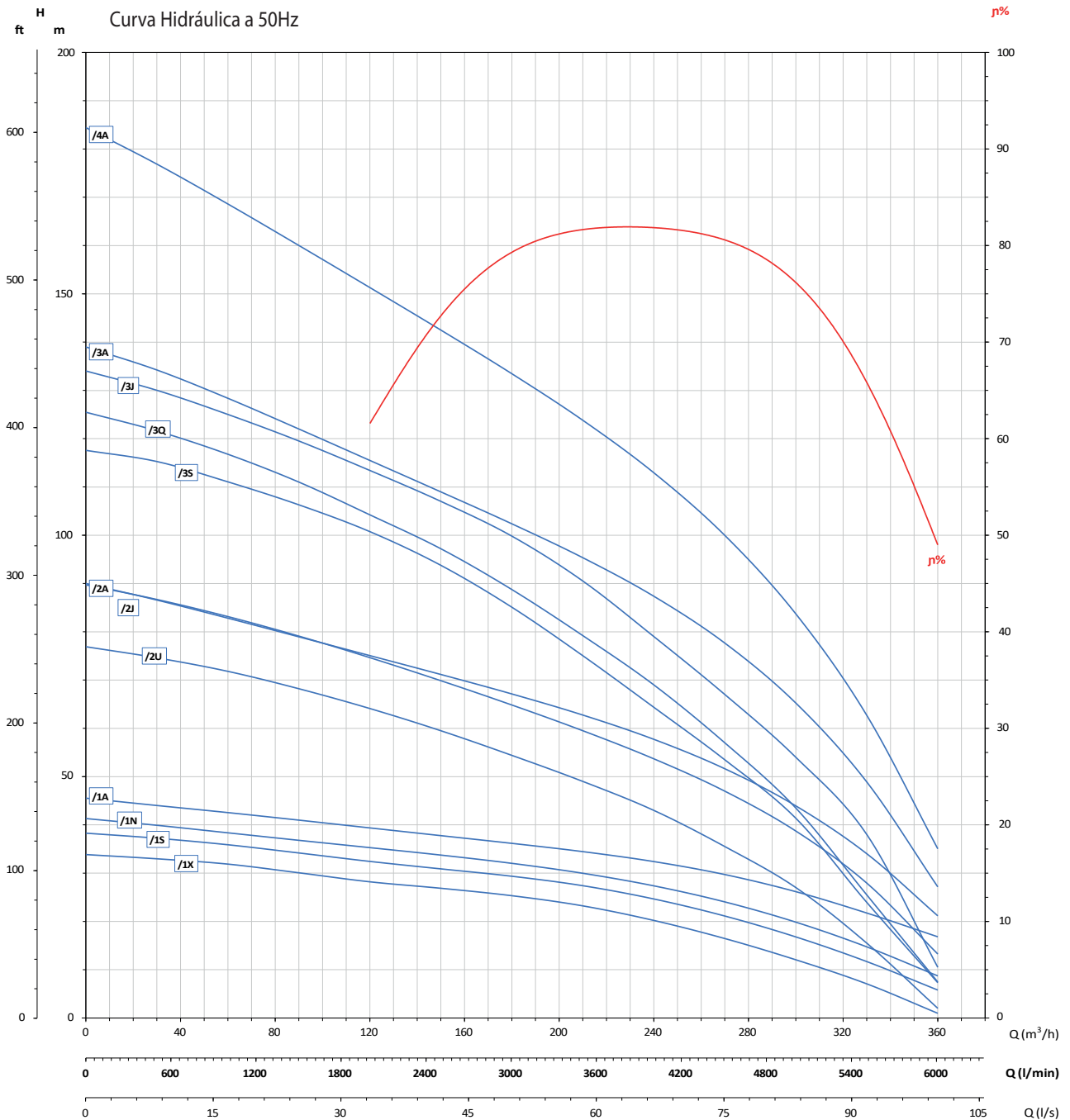
Bombeo Solar



Medidas brida cuerpo Impulsión (mm)

# 10SX-280

Bombas Sumergibles Acero Inoxidable



**Rendimiento máximo 82,10%**

**Absorción máxima por etapa 1A = 29,64 kW/st - 1N = 24,7 kW/st - 1S = 21,8 kW/st - 1X = 18,3 kW/st1 - 2A = 24,51 kW/st - 2J = 22,4 kW/st - 2U = 17,9 kW/st - 3A = 24,09 kW/st - 3J = 21,7 kW/st - 3Q = 19,66 kW/st - 3S = 18,3 kW/st - 4A = 22,96 kW/st**

Las condiciones de trabajo han sido tomadas en las siguientes condiciones: Agua a 15°C, presión atmosférica 1bar y densidad específica 1gr/cm³, según ISO 9906 Anex A.

Debido a continuas mejoras en el diseño EMC BOMBAS se reserva el derecho a hacer modificaciones sin previo aviso

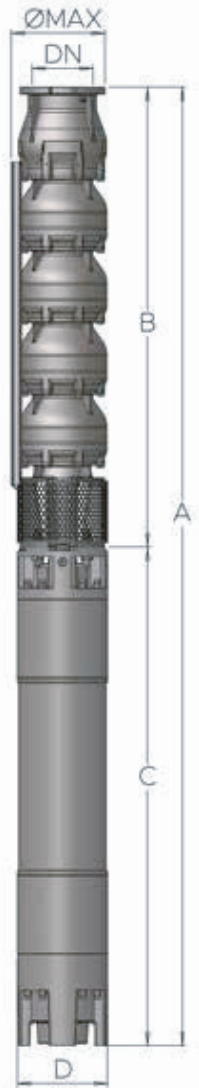
# 10SX-280

## Bombas Sumergibles Acero Inoxidable



### Características Hidráulicas a 50Hz

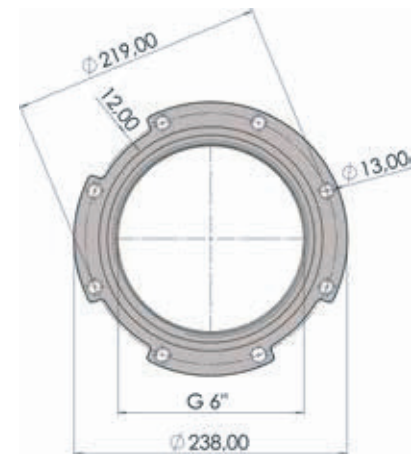
| Modelo         | Motor <sup>2900</sup> rpm |     | Q = Caudal        |     |       |       |      |       |       |      |       |       |      |
|----------------|---------------------------|-----|-------------------|-----|-------|-------|------|-------|-------|------|-------|-------|------|
|                |                           |     | m <sup>3</sup> /h | 0   | 120   | 150   | 180  | 210   | 240   | 270  | 300   | 330   | 360  |
|                | CV<br>hp                  | kW  | l/min             | 0   | 2000  | 2500  | 3000 | 3500  | 4000  | 4500 | 5000  | 5500  | 6000 |
|                |                           |     | l/s               | 0   | 33,33 | 41,67 | 50   | 58,33 | 66,67 | 75   | 83,33 | 91,67 | 100  |
| 10SX280/5G/B   | 150                       | 110 | H(m)              | 230 | 189   | 176   | 162  | 147   | 131   | 112  | 89    | 59    | 20   |
| 10SX280/5A/B   | 180                       | 132 |                   | 230 | 187   | 176   | 165  | 152   | 139   | 122  | 102   | 77    | 43   |
| 10SX280/6A/B   | 180                       | 132 |                   | 275 | 229   | 214   | 197  | 179   | 160   | 139  | 115   | 85    | 48   |
| 10SX280/7L/B   | 200                       | 150 |                   | 314 | 265   | 246   | 226  | 204   | 180   | 154  | 124   | 87    | 40   |
| 10SX280/7A/B*  | 230                       | 170 |                   | 320 | 268   | 249   | 230  | 209   | 187   | 162  | 134   | 99    | 56   |
| 10SX280/8A/B*  | 260                       | 190 |                   | 371 | 313   | 291   | 268  | 244   | 219   | 191  | 159   | 119   | 69   |
| 10SX280/9A/B*  | 300                       | 220 |                   | 417 | 352   | 327   | 301  | 275   | 246   | 215  | 179   | 134   | 78   |
| 10SX280/10A/B* | 340                       | 250 |                   | 464 | 391   | 364   | 335  | 305   | 274   | 239  | 199   | 148   | 86   |
| 10SX280/11A/B* | 340                       | 250 |                   | 510 | 430   | 400   | 368  | 336   | 301   | 263  | 219   | 163   | 95   |
| 10SX280/12A/B* | 400                       | 300 |                   | 557 | 470   | 437   | 402  | 366   | 329   | 287  | 239   | 178   | 104  |
| 10SX280/13A/B* | 400                       | 300 |                   | 603 | 509   | 473   | 435  | 397   | 356   | 310  | 258   | 193   | 112  |



### Dimensiones y Pesos

| Modelo         | CV<br>hp | kW  | A<br>mm | B<br>mm | C<br>mm | D<br>mm | Ømax<br>mm | DN   | A<br>kg | B<br>kg | C<br>kg |
|----------------|----------|-----|---------|---------|---------|---------|------------|------|---------|---------|---------|
| 10SX280/5G/B   | 150      | 110 | 3124    | 1416    | 1708    | 240     | 254        | G6"  | 462     | 104     | 358     |
| 10SX280/5A/B   | 180      | 132 | 3224    | 1416    | 1808    |         |            |      | 521     | 104     | 417     |
| 10SX280/6A/B   | 180      | 132 | 3413    | 1605    | 1808    |         |            |      | 536     | 119     | 417     |
| 10SX280/7L/B   | 200      | 150 | 3722    | 1794    | 1928    |         |            |      | 594     | 134     | 460     |
| 10SX280/7A/B*  | 230      | 170 | 3822    | 1794    | 2028    |         |            |      | 618     | 134     | 484     |
| 10SX280/8A/B*  | 260      | 190 | 4111    | 1983    | 2128    |         |            |      | 669     | 149     | 520     |
| 10SX280/9A/B*  | 300      | 220 | 4409    | 2172    | 2237    | 286     | 286        | 864  | 164     | 700     |         |
| 10SX280/10A/B* | 340      | 250 | 4768    | 2361    | 2407    |         |            | 954  | 179     | 775     |         |
| 10SX280/11A/B* | 340      | 250 | 4957    | 2550    | 2407    |         |            | 969  | 194     | 775     |         |
| 10SX280/12A/B* | 400      | 300 | 5146    | 2739    | 2407    |         |            | 985  | 210     | 775     |         |
| 10SX280/13A/B* | 400      | 300 | 5335    | 2928    | 2407    |         |            | 1000 | 225     | 775     |         |

\*Esta electrobomba no se recomienda para el montaje horizontal.



Medidas brida cuerpo Impulsión (mm)

### Aplicaciones



Abastecimiento Público



Aumentos de Presión  
en Red



Industria



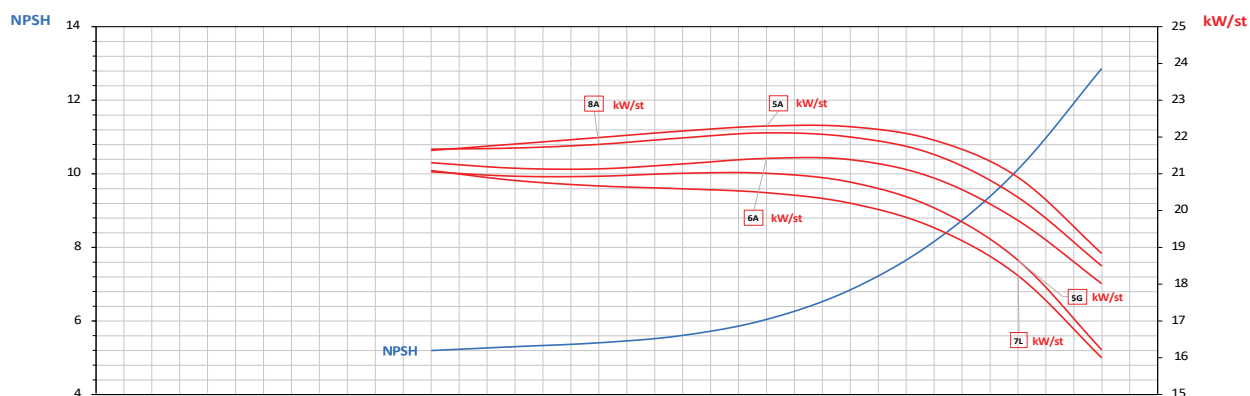
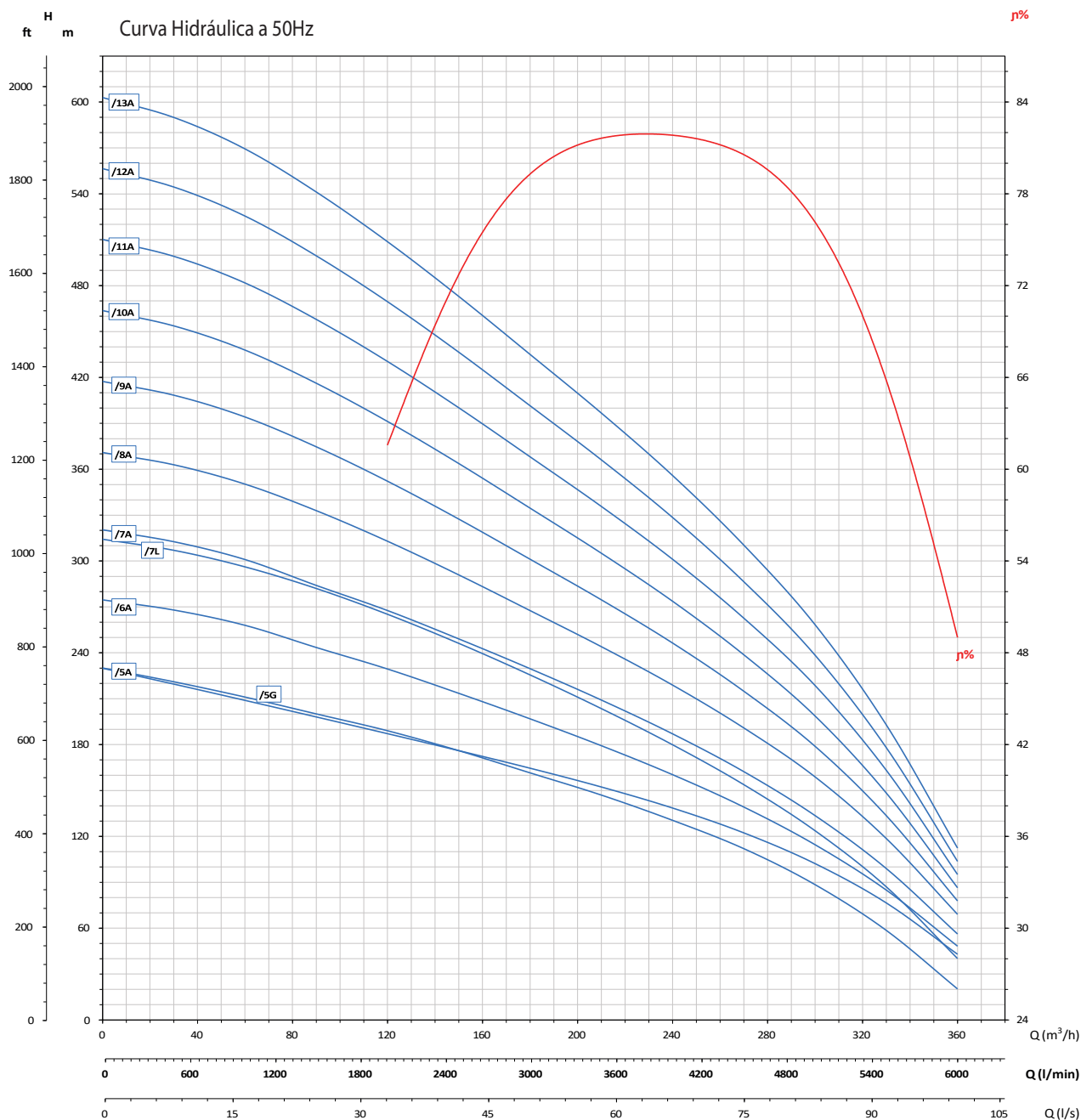
Riego y Agricultura



Bombeo Solar

# 10SX-280

## Bombas Sumergibles Acero Inoxidable



**Rendimiento máximo 82,10%**  
**Absorción máxima por etapa 5A = 22,3 kW/st - 5G = 21,18 kW/st - 6A = 21,47 kW/st - 7L = 21,42 kW/st - 8A = 22,22 kW**



**EMC BOMBAS SL**

Travesía Prat de la Riba, 120

08849 - Sant Climent de Llobregat-Barcelona

+34 936589861 / +34 669386600

[emcbombas@emcbombas.com](mailto:emcbombas@emcbombas.com)

[www.emcbombas.com](http://www.emcbombas.com)