



Bombas Acero Inoxidable AISI 304 - Rodete Acero Inoxidable Stainless Steel Pumps AISI 304 - Impeller in Stainless Steel

50Hz

X6S

BOMBA X6S

Caudales hasta 72 m³/h a 2850rpm

Altura manométrica hasta 600m a 2850rpm

Impulsiones de 2" ½ y 4"

Ensayos de acuerdo con norma ISO 9906

MOTORES SUMERGIBLES EMC

Motores Sumergibles Encapsulados EMC de 4" hasta 10 CV

Motores Sumergibles Rebobinables EMC de 6" hasta 50 CV

Tensión Monofásica hasta 3CV 220/230V - 50Hz - Tolerancia ±10%

Tensión Trifásica 230-400/690V - 50Hz - Tolerancia ±10%

Protección IP 68 - Clase de Aislamiento Tipo F

Temperatura Máx. del agua 30°C (Opcional temp. Máx. 70°C)

Instalación en Vertical y en Horizontal

Arranque máximos por hora 20

Velocidad mínima de refrigeración hasta 25 CV: 0.2 m/s

Velocidad mínima de refrigeración 30-50 CV: 0.5 m/s

Acoplamiento NEMA

CARACTERÍSTICAS

Electrobomba sumergible centrífuga multicelular con turbinas semiaxiales

Turbinas y Difusores en acero inoxidable AISI 304

Exterior de la bomba en acero inoxidable AISI 304

Cuerpo impulsión en acero inoxidable AISI 304 con válvula incorporada

Cuerpo de aspiración y rejilla en acero inoxidable AISI 304

Tirantes y protección del cable en acero inoxidable AISI 304

Eje de bomba en acero inoxidable AISI 431

Acoplamiento norma NEMA

APLICACIONES

Bombas para aplicaciones en bombeos de aguas de pozos, depósitos, ríos, lagos.

Abastecimiento de agua, riego, sistemas contraincendios, aplicaciones industriales, sistemas de presurización.

X6S PUMP

- Capacity up to 72m³/h for 2850rpm

- Head up to 600m for 2850rpm

- Outlet 2" ½ and 4"

- Test according ISO 9906

EMC SUBMERSIBLE MOTORS

- 4" Encapsulated Submersible Motors EMC up to 10 CV

- 6" Rewindable Submersible Motors EMC up to 50 CV

- Single-phase Voltage up to 3 CV 220/230V - 50Hz - ±10% Tolerance

- Triphase Voltage 230-400/690V - 50Hz - ±10% Tolerance

- IP 68 - Isolation F type

- Water Maximum Temperature 30°C (Optional 70°C)

- The motor can operate vertically and horizontally

- Maximum start/hour 20

- Minimum cooling water speed up to 25 CV: 0.2 m/s

- Minimum cooling water speed up to 30-50 CV: 0.5 m/s

- NEMA coupling

CHARACTERISTICS

- Submersible centrifugal pump with semi-axial impellers

- Impellers and Diffusers in Stainless Steel AISI 304

- Pump outside in Stainless Steel AISI 304

- Discharge Case in Stainless Steel AISI 304 with valve-check

- Suction Case and Filter in AISI 304

- Cable guard in AISI 304

- Shaft Pumps in Stainless Steel AISI 431

- NEMA coupling

APPLICATIONS

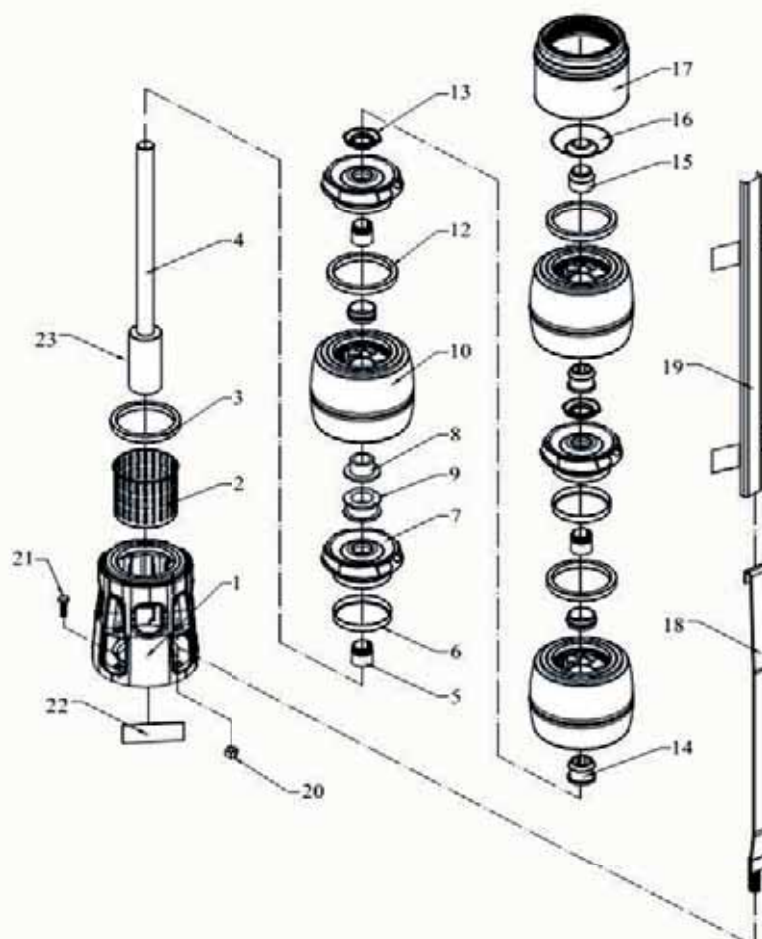
- Pumps for pumping in well water, lakes, river.

- Domestic and civil water supply, irrigation, fire-fighting, industrial applications and pressure system.

50Hz

Bombas Acero Inoxidable AISI 304 - Rodete Acero Inoxidable
Stainless Steel Pumps AISI 304 - Impeller in Stainless Steel

X6S

DESPIECE • CUTTING


| Nº | DESCRIPCIÓN DESCRIPTION | MATERIAL MATERIAL |
|----|--|---|
| 1 | Cuerpo Aspiración <i>Suction Case</i> | Acero Inoxidable AISI 304L <i>Stainless Steel AISI 304L</i> |
| 2 | Rejilla <i>Filter</i> | Acero Inoxidable AISI 304 <i>Stainless Steel AISI 304</i> |
| 3 | Aro Cierre Cuerpo Aspiración <i>Suction Case Wear Ring</i> | Bronce (ASTM B145-4A) <i>Bronze (ASTM B145-4A)</i> |
| 4 | Eje Bomba <i>Pump Shaft</i> | Acero Inoxidable AISI 420 <i>Stainless Steel AISI 420</i> |
| 5 | Cono Fijación Rodete <i>Impeller Lock Collet</i> | Acero Inoxidable AISI 420 <i>Stainless Steel AISI 420</i> |
| 6 | Aro Cierre Rodete <i>Impeller Wear Rings</i> | Acero Inoxidable AISI 304 <i>Stainless Steel AISI 304</i> |
| 7 | Rodete <i>Impeller</i> | Acero Inoxidable AISI 304L <i>Stainless Steel AISI 304L</i> |
| 8 | Cojinete Contraempuje <i>Upthrust Collet</i> | Bronce (ASTM B145-4A) <i>Bronze (ASTM B145-4A)</i> |
| 9 | Tuerca Contraempuje <i>Upthrust Nut</i> | Acero Inoxidable AISI 420 <i>Stainless Steel AISI 420</i> |
| 10 | Difusor <i>Diffuser</i> | Acero Inoxidable AISI 304L <i>Stainless Steel AISI 304L</i> |
| 12 | Aro Cierre Difusor <i>Diffuser Wear Ring</i> | Goma <i>NBR</i> |

| Nº | DESCRIPCIÓN DESCRIPTION | MATERIAL MATERIAL |
|----|--|---|
| 13 | Tuerca <i>Impeller Lock Nut</i> | Acero Inoxidable AISI 304L <i>Stainless Steel AISI 304L</i> |
| 14 | Cojinete <i>Bearing</i> | Goma <i>NBR</i> |
| 15 | Cojinete Superior <i>Upper Bearing</i> | Bronce (ASTM B145-4A) <i>Bronze (ASTM B145-4A)</i> |
| 16 | Válvula de Retención <i>Valve Cup</i> | Acero Inoxidable AISI 304L <i>Stainless Steel AISI 304L</i> |
| 17 | Cuerpo de Impulsión <i>Discharge Case</i> | Acero Inoxidable AISI 304L <i>Stainless Steel AISI 304L</i> |
| 18 | Tirante <i>Strap</i> | Acero Inoxidable AISI 304L <i>Stainless Steel AISI 304L</i> |
| 19 | Protección Cable <i>Cable Guard</i> | Acero Inoxidable AISI 304L <i>Stainless Steel AISI 304L</i> |
| 20 | Tuerca de Tirante <i>Nut for Strap</i> | Acero Inoxidable AISI 304 <i>Stainless Steel AISI 304</i> |
| 21 | Tornillo Acople <i>Bolt for Coupling</i> | Acero Inoxidable AISI 304 <i>Stainless Steel AISI 304</i> |
| 22 | Placa de Características <i>Pumps Name Plate</i> | - |
| 23 | Acoplamiento <i>Coupling</i> | Acero Inoxidable AISI 420 <i>Stainless Steel AISI 420</i> |

Debido a continuas mejoras en los diseños, EMC BOMBAS se reserva el derecho de realizar modificaciones sin previo aviso.
 Due to continuous improvement in design EMC BOMBAS reserves the right to amend specifications or data without prior notice.

X6S 30

Características 50Hz • Performance 50Hz

| Bomba Pump | Motor | | Q | Caudal • Capacity | | | | | | | | | | | |
|------------------------|-------|------|------------------------|-------------------|------|------|------|------|------|------|------|------|------|------|------|
| | | | l/s | 0 | 3,0 | 4,0 | 5,0 | 6,0 | 7,0 | 7,5 | 8,0 | 9,0 | 10,0 | 11,0 | 12,0 |
| | kW | HP | m ³ /h | 0 | 10,8 | 14,4 | 18,0 | 21,6 | 25,2 | 27,0 | 28,8 | 32,4 | 36,0 | 39,6 | 43,2 |
| | | | l/min | 0 | 180 | 240 | 300 | 360 | 420 | 450 | 480 | 540 | 600 | 660 | 720 |
| X6S-30/04 | 4 | 5,5 | Altura • Head H (m) | 45 | 42 | 41 | 39 | 37 | 34 | 33 | 31 | 27 | 23 | 17 | 11 |
| X6S-30/06 | 5,5 | 7,5 | | 68 | 64 | 61 | 59 | 55 | 51 | 49 | 47 | 41 | 34 | 26 | 17 |
| X6S-30/08 | 7,5 | 10 | | 90 | 85 | 82 | 78 | 74 | 69 | 66 | 62 | 54 | 45 | 35 | 23 |
| X6S-30/11 | 9,3 | 12,5 | | 124 | 117 | 113 | 108 | 102 | 94 | 90 | 85 | 75 | 62 | 48 | 32 |
| X6S-30/13 | 11 | 15 | | 147 | 138 | 133 | 127 | 120 | 111 | 106 | 101 | 88 | 74 | 57 | 37 |
| X6S-30/15 | 13 | 17,5 | | 170 | 159 | 154 | 147 | 139 | 129 | 123 | 116 | 102 | 85 | 66 | 43 |
| X6S-30/17 | 15 | 20 | | 192 | 180 | 174 | 167 | 157 | 146 | 139 | 132 | 115 | 96 | 74 | 49 |
| X6S-30/19 | 20 | 25 | | 215 | 202 | 195 | 186 | 176 | 163 | 156 | 147 | 129 | 107 | 83 | 54 |
| X6S-30/21 | 20 | 25 | | 237 | 223 | 215 | 206 | 194 | 180 | 172 | 163 | 143 | 119 | 92 | 60 |
| X6S-30/23 | 22 | 30 | | 260 | 244 | 236 | 225 | 213 | 197 | 188 | 178 | 156 | 130 | 101 | 66 |
| X6S-30/26 | 22 | 30 | | 294 | 276 | 266 | 255 | 240 | 223 | 213 | 202 | 177 | 147 | 114 | 74 |
| X6S-30/28 | 26 | 35 | | 316 | 297 | 287 | 274 | 259 | 240 | 229 | 217 | 190 | 158 | 122 | 80 |
| X6S-30/30 | 26 | 35 | | 339 | 318 | 307 | 294 | 277 | 257 | 246 | 233 | 204 | 170 | 131 | 86 |
| X6S-30/32 | 30 | 40 | | 362 | 340 | 328 | 314 | 296 | 274 | 262 | 248 | 217 | 181 | 140 | 92 |
| X6S-30/35 | 30 | 40 | | 396 | 371 | 359 | 343 | 324 | 300 | 287 | 271 | 238 | 198 | 153 | 100 |
| X6S-30/39 ¹ | 37 | 50 | | 441 | 414 | 400 | 382 | 361 | 334 | 319 | 302 | 265 | 221 | 170 | 112 |
| X6S-30/43 ¹ | 37 | 50 | | 486 | 456 | 441 | 422 | 398 | 368 | 352 | 333 | 292 | 243 | 188 | 123 |
| X6S-30/48 ¹ | 45 | 60 | 542 | 509 | 492 | 471 | 444 | 411 | 393 | 372 | 326 | 272 | 210 | 138 | |

* Bombas entubadas • Pumps with jacket

Información Técnica Motor Sumergible • Technical Information Sumersible

| Bomba Pump | Potencia Power | | Tipo Motor Motor Type | U _N | Información Motor • Motor information | | | | | | | | | | | |
|--|-------------------|------|--------------------------|----------------|---------------------------------------|----------------|----------------|------|------|------|-------|------|------|-------|-------|------|
| | | | | | n | I _N | I _A | η | | | cos φ | | | Ax. | P | L |
| | min ⁻¹ | (A) | 50 | | 75 | 100 | 50 | 75 | 100 | kN | (kg) | (mm) | | | | |
| X6S-30/04 | 4 | 5,5 | EMC/6 5,5 | 400 V | 2855 | 9,9 | 37,9 | 0,68 | 0,72 | 0,72 | 0,59 | 0,67 | 0,81 | 20 | 44,0 | 649 |
| X6S-30/06 | 5,5 | 7,5 | EMC/6 7,5 | | 2857 | 13,3 | 51 | 0,71 | 0,74 | 0,76 | 0,59 | 0,67 | 0,81 | | 47,0 | 678 |
| X6S-30/08 | 7,5 | 10 | EMC/6 10 | | 2860 | 16,7 | 64,5 | 0,79 | 0,80 | 0,80 | 0,59 | 0,67 | 0,81 | | 53,0 | 758 |
| X6S-30/11 | 9,3 | 12,5 | EMC/6 12,5 | | 2865 | 20,5 | 79,2 | 0,80 | 0,81 | 0,81 | 0,59 | 0,67 | 0,81 | | 57,0 | 800 |
| X6S-30/13 | 11 | 15 | EMC/6 15 | | 2855 | 23,6 | 91,1 | 0,82 | 0,83 | 0,83 | 0,63 | 0,71 | 0,81 | | 61,0 | 851 |
| X6S-30/15 | 13 | 17,5 | EMC/6 17,5 | | 2875 | 27,9 | 107,0 | 0,81 | 0,82 | 0,82 | 0,61 | 0,69 | 0,82 | | 66,0 | 911 |
| X6S-30/17 | 15 | 20 | EMC/6 20 | | 2880 | 32,2 | 120,0 | 0,80 | 0,81 | 0,81 | 0,61 | 0,69 | 0,83 | | 72,0 | 973 |
| X6S-30/19..21 | 20 | 25 | EMC/6 25 | | 2868 | 40,2 | 155 | 0,81 | 0,82 | 0,82 | 0,57 | 0,66 | 0,81 | | 80,0 | 1006 |
| X6S-30/23..26 | 22 | 30 | EMC/6 30 | | 2875 | 46,7 | 180 | 0,82 | 0,83 | 0,83 | 0,59 | 0,67 | 0,82 | | 86,0 | 1106 |
| X6S-30/28..30 | 26 | 35 | EMC/6 35 | | 2885 | 54,9 | 212 | 0,83 | 0,84 | 0,84 | 0,61 | 0,69 | 0,83 | | 90,0 | 1217 |
| X6S-30/32..35 | 30 | 40 | EMC/6 40 | | 2895 | 62,1 | 240 | 0,83 | 0,84 | 0,84 | 0,61 | 0,69 | 0,83 | 104,0 | 1247 | |
| X6S-30/39 ¹ ..43 ¹ | 37 | 50 | EMC/6 50 | | 2905 | 78,5 | 303 | 0,81 | 0,82 | 0,84 | 0,61 | 0,69 | 0,83 | 111,0 | 1347 | |
| X6S-30/48 ¹ | 45 | 60 | EMC/7 60 | | 2890 | 88,0 | 446 | 0,84 | 0,86 | 0,86 | 0,75 | 0,83 | 0,86 | 45 | 142,0 | 1139 |

Más información en fichas técnicas motores sumergibles EMC • More information in technicals specifications of sumersible motors EMC

Cuerpo y Rodete • Body and Impeller

Eje Bomba y Acople • Pump shaft and Coupling

Rejilla y Válvula • Strainer and Valve cap

Diám. Impulsión • Outlet con. diam.

Max. Contenido Arena • Max. Sand Content

Acero Inoxidable AISI 304L • Stainless Steel AISI 304L

Acero Inoxidable AISI 431 • Stainless Steel AISI 431

Acero Inoxidable AISI 304L • Stainless Steel AISI 304L

3" (rosca interior) • 3" (inside threaded)

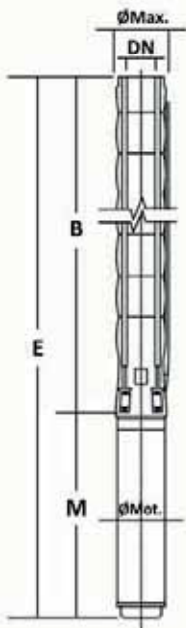
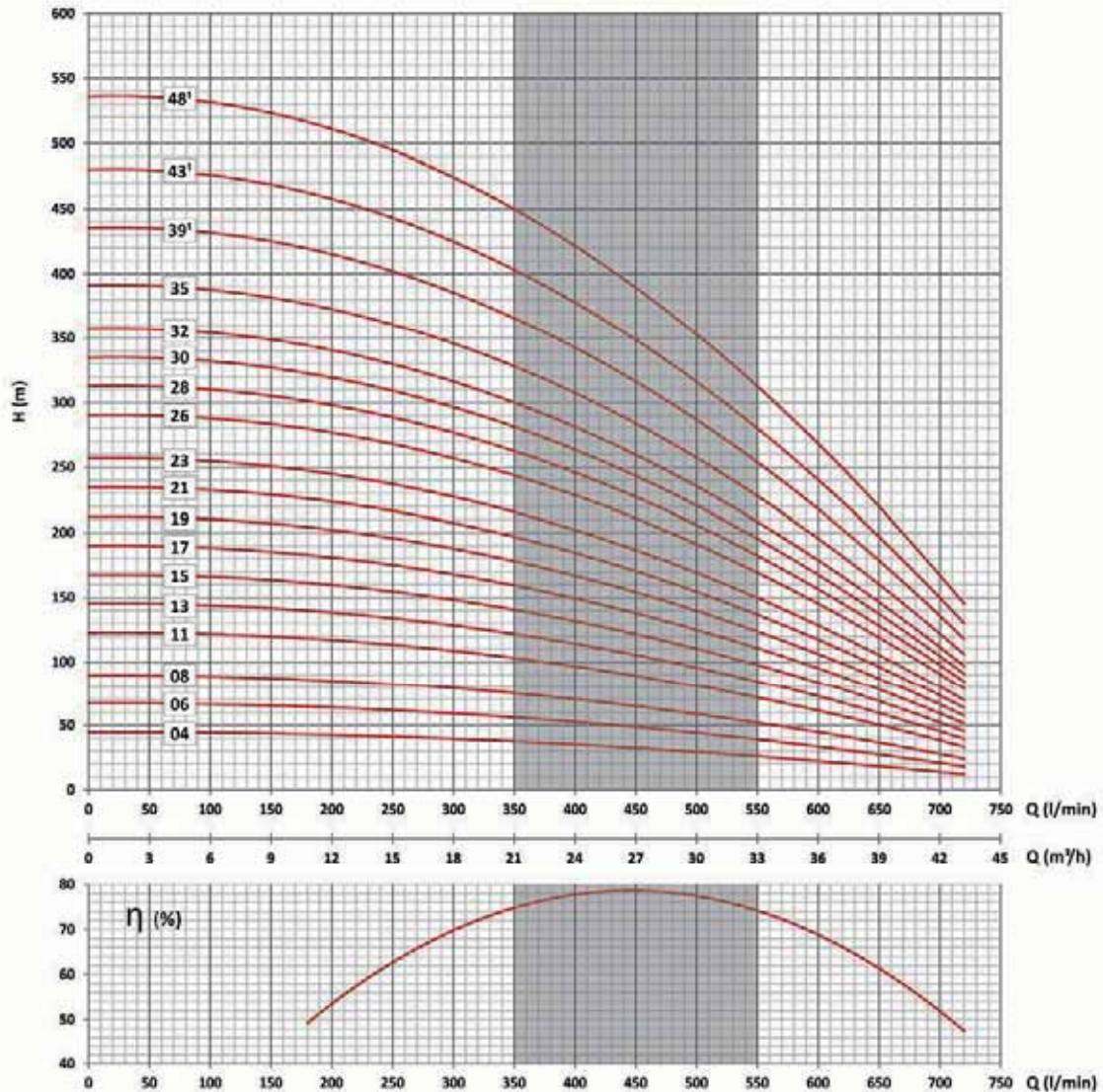
50 gr/m³ • 50 gr/m³

50Hz

Bombas Acero Inoxidable AISI 304 - Rodete Acero Inoxidable
Stainless Steel Pumps AISI 304 - Impeller in Stainless Steel

X6S 30

Características 50Hz • Performance 50Hz



Dimensiones y Pesos
Dimensions and Weights

| Dimensiones y peso de la bomba • Pump weight and dimensions | | | | | | | |
|---|------|------|------|------|-------|----|---------------------------|
| Tipo Type | E | B | M | ØMax | ØMot. | DN | Peso Bomba Pump Weight |
| X6S-30/04 | 1239 | 590 | 649 | 142 | 144 | 3" | 11 |
| X6S-30/06 | 1623 | 945 | 678 | | | | 15 |
| X6S-30/08 | 1929 | 1171 | 758 | | | | 19 |
| X6S-30/11 | 2310 | 1510 | 800 | | | | 24 |
| X6S-30/13 | 2587 | 1736 | 851 | | | | 27 |
| X6S-30/15 | 2873 | 1962 | 911 | | | | 30 |
| X6S-30/17 | 3161 | 2188 | 973 | | | | 34 |
| X6S-30/19 | 3420 | 2414 | 1006 | | | | 37 |
| X6S-30/21 | 3646 | 2640 | 1006 | | | | 41 |
| X6S-30/23 | 3972 | 2866 | 1106 | | | | 45 |
| X6S-30/26 | 4311 | 3205 | 1106 | | | | 49 |
| X6S-30/28 | 4648 | 3431 | 1217 | | | | 53 |
| X6S-30/30 | 4874 | 3657 | 1217 | | | | 56 |
| X6S-30/32 | 5130 | 3883 | 1247 | | | | 59 |
| X6S-30/35 | 5469 | 4222 | 1247 | | | | 63 |
| X6S-30/39 ¹ | 6021 | 4674 | 1347 | | | | 69 |
| X6S-30/43 ¹ | 6473 | 5126 | 1347 | 75 | | | |
| X6S-30/48 ¹ | 6830 | 5691 | 1139 | 83 | | | |

Debido a continuas mejoras en los diseños, EMC BOMBAS se reserva el derecho de realizar modificaciones sin previo aviso.
Due to continuous improvement in design EMC BOMBAS reserves the right to amend specifications or data without prior notice.

Las condiciones de trabajo han sido tomadas en las siguientes condiciones: agua 15°C, presión atmosférica de 1 bar y densidad específica 1gr/cm³ según ISO 9906 Annex A.
The hydraulic working characteristics have been taken with water at 15°C, at the atmospheric pressure of 1 bar and specific gravity is 1gr/cm³, ISO 9906 Annex A.