



## Bombas Fundición de Hierro - Rodete en Bronce

### Cast Iron Pumps - Impeller in Bronze

50Hz

6SB

#### BOMBA 6SB

Caudales hasta 90 m<sup>3</sup>/h a 2850rpm

Altura manométrica hasta 300m a 2850rpm

Impulsiones de 3"y 4"

Ensayos de acuerdo con norma ISO 9906

#### 6SB PUMP

- Capacity up to 90m<sup>3</sup>/h for 2850rpm

- Head up to 300m for 2850rpm

- Outlet 3" and 4"

- Test according ISO 9906

#### MOTORES SUMERGIBLES EMC

Motores Sumergibles Rebobinables EMC de 6" hasta 50 CV

Tensión Trifásica 230-400/690V - 50Hz - Tolerancia ±10%

Protección IP 68 - Clase de Aislamiento Tipo F

Temperatura máxima del agua 30°C (Opcional temp. máx. 70°C)

Instalación en Vertical y en Horizontal

Arranque máximos por hora 20

Velocidad mínima de refrigeración hasta 25 CV: 0.2 m/s

Velocidad mínima de refrigeración 30-50 CV: 0.5 m/s

Acoplamiento NEMA

#### EMC SUBMERSIBLE MOTORS

- 6" Rewindable Submersible Motors EMC up to 50 CV

- Triphase Voltage 230-400/690V - 50Hz - ±10% Tolerance

- IP 68 - Isolation F type

- Water Maximum Temperature 30°C (Optional 70°C)

- The motor can operate vertically and horizontally

- Maximum start/hour 20

- Minimum cooling water speed up to 25 CV: 0.2 m/s

- Minimum cooling water speed up to 30-50 CV: 0.5 m/s

- NEMA coupling

#### CARACTERÍSTICAS

Electrobomba sumergible centrífuga multicelular fabricadas en fundición de hierro

Cuerpos de aspiración y de impulsión fabricados en fundición de hierro GG25

Impulsores en Bronce para mejor resistencia mecánica

Tornillería y rejilla en AISI 304

Válvula de retención y protección de cable en AISI 304

Eje y acoplamiento motor en AISI 304

Acoplamiento norma NEMA 1-18-388

#### CHARACTERISTICS

- Submersible Centrifugal pump in cast iron

- Suction and discharge case in cast iron GG25

- Impellers in Bronze for better resistance

- Screw and filter in AISI 304

- Check-valve and cable guard in AISI 304

- Shaft and motor coupling in AISI 304

- NEMA 1-18-388 coupling

#### APLICACIONES

Bombas para aplicaciones en bombeos de aguas de pozos, depósitos, ríos, lagos.

Abastecimiento de agua, riego, sistemas contra incendios, aplicaciones industriales, sistemas de presurización.

#### APPLICATIONS

- Pumps for pumping in well water, lakes, river.

- Domestic and civil water supply, irrigation, fire-fighting, industrial applications and pressure system.

50Hz

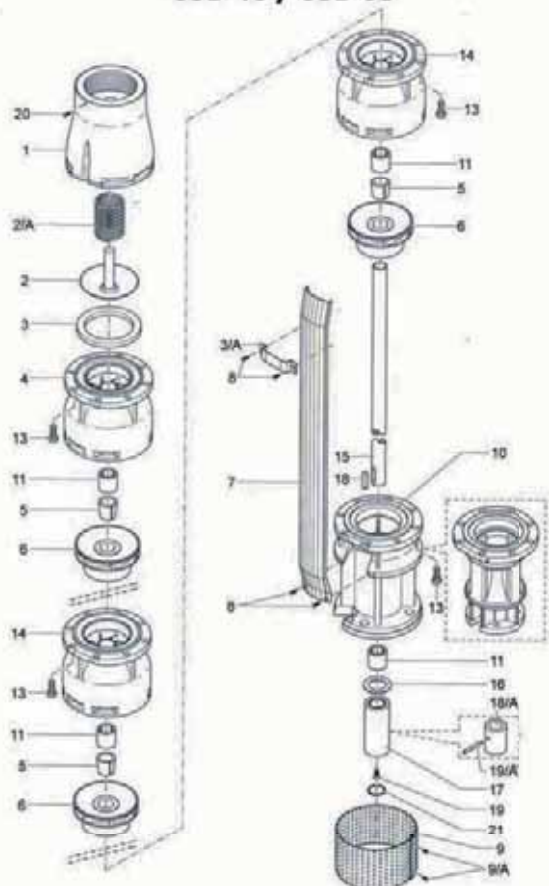
# Bombas Fundición de Hierro - Rodete en Bronce

## Cast Iron Pumps - Impeller in Bronze

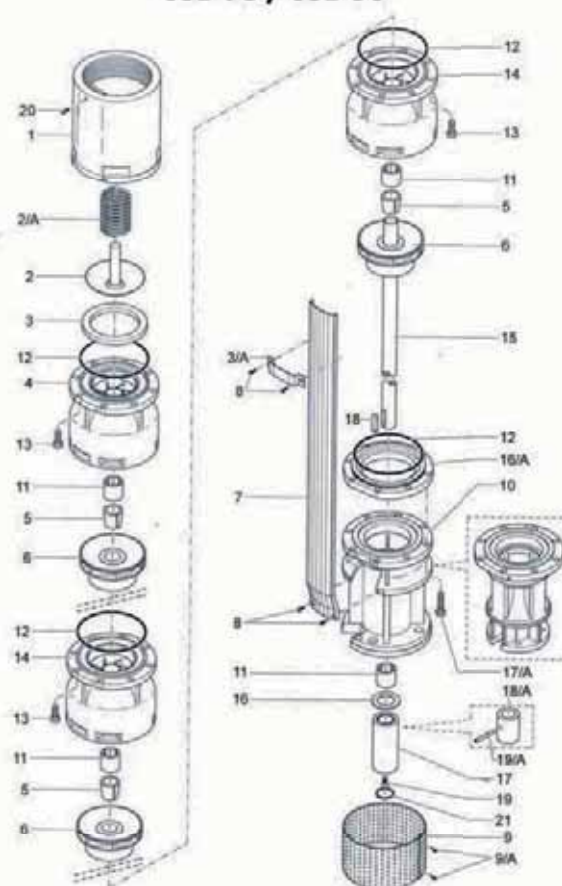
6SB

## DESPIECE • CUTTING

6SB 46 / 6SB 65



6SB 78 / 6SB 90



| Nº | DESCRIPCIÓN<br>DESCRIPTION                     | MATERIAL<br>MATERIAL                                  |
|----|--|---|
| 1  | Cuerpo impulsión<br>Discharge Case             | Fundición de Hierro<br>Cast Iron                      |
| 2A | Muelle Válvula<br>Valve Spring                 | Acero Inoxidable AISI 304<br>Stainless Steel AISI 304 |
| 2  | Hongo Válvula<br>Check Valve                   | Acero Inoxidable AISI 304<br>Stainless Steel AISI 304 |
| 3A | Abrazadera Protec. Cable<br>Cable guard clamp  | Acero Inoxidable AISI 304<br>Stainless Steel AISI 304 |
| 3  | Asiento Válvula Goma<br>Valve Gasket Ring      | Goma<br>Rubber  |
| 4  | Difusor Descarga<br>Upper Diffuser             | Fundición de Hierro<br>Cast Iron                      |
| 5  | Cono fija rodete<br>Conic lock sleeve          | Acero Inoxidable AISI 400<br>Stainless Steel AISI 400 |
| 6  | Rodete<br>Impeller                             | Bronce<br>Bronze                                      |
| 7  | Protección Cable<br>Cable Guard                | Acero Inoxidable AISI 304<br>Stainless Steel AISI 304 |
| 8  | Tornillo Protección Cable<br>Screw cable Guard | Acero Inoxidable AISI 304<br>Stainless Steel AISI 304 |
| 9  | Filtro de aspiración<br>Suction Filter         | Acero Inoxidable AISI 304<br>Stainless Steel AISI 304 |
| 9A | Tornillo filtro<br>Screw for filter            | Acero Inoxidable AISI 304<br>Stainless Steel AISI 304 |
| 10 | Soporte de aspiración<br>Suction Casing        | Fundición de Hierro<br>Cast Iron                      |
| 11 | Cojinete bomba<br>Bearing bush                 | Acero + Goma<br>Steel + Rubber                        |

| Nº  | DESCRIPCIÓN<br>DESCRIPTION                            | MATERIAL<br>MATERIAL                                  |
|-----|---|---|
| 12  | Junta Torica<br>Gasket                                | Goma<br>Rubber  |
| 13  | Tornillo<br>Screw                                     | Acero Inoxidable AISI 304<br>Stainless Steel AISI 304 |
| 14  | Difusor<br>Diffuser                                   | Fundición de Hierro<br>Cast Iron                      |
| 15  | Eje<br>Shaft  | Acero Inoxidable AISI 420<br>Stainless Steel AISI 420 |
| 16  | Disco contraempuje<br>Counterthrust plate             | Teflón Grafitado<br>Graphited Teflon                  |
| 16A | Brida de aspiración<br>Suction Flange                 | Fundición de Hierro<br>Cast Iron                      |
| 17  | Manguito<br>Coupling                                  | Acero Inoxidable AISI 400<br>Stainless Steel AISI 400 |
| 17A | Tornillo Brida Aspiración<br>Screw for suction flange | Acero Inoxidable AISI 304<br>Stainless Steel AISI 304 |
| 18  | Chaveta<br>Key  | Acero Inoxidable AISI 304<br>Stainless Steel AISI 304 |
| 18A | Manguito 4"<br>4" Coupling                            | Acero Inoxidable AISI 400<br>Stainless Steel AISI 400 |
| 19A | Clavija Manguito<br>Coupling pin                      | Acero Inoxidable AISI 304<br>Stainless Steel AISI 304 |
| 19  | Tornillo Manguito<br>Coupling Screw                   | Acero Inoxidable AISI 304<br>Stainless Steel AISI 304 |
| 20  | Tornillo de Bloqueo<br>Stop Screw                     | Acero Inoxidable AISI 304<br>Stainless Steel AISI 304 |
| 21  | Junta Torica Manguito<br>Coupling O'ring              | Goma<br>Rubber  |

# 6SB 46

### Características 50Hz • Performance 50Hz

| Bomba<br>Pump | Motor |       | Q                      | Caudal • Capacity |                   |     |      |      |      |      |      |      |      |      |      |
|---------------|-------|-------|------------------------|-------------------|-------------------|-----|------|------|------|------|------|------|------|------|------|
|               |       |       |                        | l/s               | 0,0               | 4,5 | 5,0  | 6,0  | 6,7  | 8,0  | 8,3  | 9,0  | 10,0 | 11,0 | 13,0 |
|               |       |       |                        |                   | m <sup>3</sup> /h | 0,0 | 16,2 | 18,0 | 21,6 | 24,0 | 28,8 | 30,0 | 32,4 | 36,0 | 39,6 |
| kW            | HP    | l/min | 0                      | 270               | 300               | 360 | 400  | 480  | 500  | 540  | 600  | 660  | 780  |      |      |
| 6SB-46/3      | 4     | 5,5   | Altura • Head<br>H (m) | 42                | 39                | 38  | 36   | 35   | 32   | 31   | 29   | 27   | 23   | 13   |      |
| 6SB-46/4      | 5,5   | 7,5   |                        | 56                | 51                | 50  | 48   | 47   | 43   | 42   | 39   | 35   | 30   | 17   |      |
| 6SB-46/5R     | 5,5   | 7,5   |                        | 64                | 59                | 58  | 55   | 54   | 48   | 47   | 44   | 39   | 33   | 21   |      |
| 6SB-46/6R     | 7,5   | 10    |                        | 81                | 76                | 74  | 71   | 69   | 63   | 62   | 58   | 51   | 44   | 24   |      |
| 6SB-46/7      | 9,2   | 12,5  |                        | 96                | 90                | 88  | 84   | 82   | 75   | 73   | 69   | 61   | 53   | 30   |      |
| 6SB-46/8      | 11    | 15    |                        | 111               | 102               | 100 | 96   | 94   | 85   | 83   | 78   | 70   | 60   | 34   |      |
| 6SB-46/9R     | 11    | 15    |                        | 119               | 110               | 108 | 104  | 101  | 92   | 90   | 84   | 74   | 63   | 35   |      |
| 6SB-46/10     | 13    | 17,5  |                        | 138               | 127               | 125 | 119  | 116  | 106  | 103  | 97   | 87   | 75   | 42   |      |
| 6SB-46/11     | 15    | 20    |                        | 151               | 140               | 137 | 131  | 128  | 117  | 114  | 107  | 96   | 82   | 46   |      |
| 6SB-46/12R    | 15    | 20    |                        | 160               | 148               | 146 | 139  | 135  | 124  | 121  | 113  | 100  | 85   | 47   |      |
| 6SB-46/14     | 18,5  | 25    |                        | 194               | 178               | 175 | 167  | 163  | 148  | 145  | 136  | 122  | 105  | 59   |      |
| 6SB-46/15     | 22    | 30    |                        | 208               | 190               | 187 | 179  | 174  | 159  | 155  | 146  | 131  | 112  | 63   |      |
| 6SB-46/16     | 22    | 30    |                        | 221               | 202               | 199 | 191  | 186  | 169  | 165  | 156  | 139  | 119  | 67   |      |
| 6SB-46/17     | 22    | 30    |                        | 235               | 215               | 212 | 202  | 197  | 179  | 175  | 166  | 148  | 127  | 71   |      |
| 6SB-46/18     | 26    | 35    |                        | 249               | 228               | 225 | 214  | 208  | 188  | 184  | 175  | 157  | 134  | 75   |      |
| 6SB-46/19     | 26    | 35    |                        | 263               | 240               | 235 | 226  | 220  | 200  | 196  | 185  | 166  | 141  | 79   |      |
| 6SB-46/20     | 30    | 40    |                        | 277               | 253               | 248 | 238  | 232  | 211  | 206  | 195  | 175  | 150  | 84   |      |
| 6SB-46/22     | 30    | 40    |                        | 305               | 279               | 273 | 262  | 255  | 232  | 227  | 214  | 193  | 164  | 92   |      |

### Información Técnica Motor Sumergible • Technical Information Sumersible

| Bomba<br>Pump  | Potencia<br>Power |      | Tipo Motor<br>Motor Type | U <sub>N</sub> | Información Motor • Motor information |                       |                |      |      |      |       |      |      |           |           |           |
|----------------|-------------------|------|--------------------------|----------------|---------------------------------------|-----------------------|----------------|------|------|------|-------|------|------|-----------|-----------|-----------|
|                |                   |      |                          |                | n<br>min <sup>-1</sup>                | I <sub>N</sub><br>(A) | I <sub>A</sub> | η    |      |      | cos φ |      |      | Ax.<br>kN | P<br>(kg) | L<br>(mm) |
|                |                   |      |                          |                |                                       |                       |                | 50   | 75   | 100  | 50    | 75   | 100  |           |           |           |
| 6SB-46/3       | 4                 | 5,5  | EMC/6 5,5                | 400 V          | 2855                                  | 9,9                   | 38             | 0,68 | 0,72 | 0,72 | 0,59  | 0,67 | 0,81 | 20        | 44,0      | 649       |
| 6SB-46/4       | 5,5               | 7,5  | EMC/6 7,5                |                | 2857                                  | 13,3                  | 51             | 0,71 | 0,74 | 0,76 | 0,59  | 0,67 | 0,81 |           | 47,0      | 678       |
| 6SB-46/5R      | 5,5               | 7,5  | EMC/6 7,5                |                | 2857                                  | 13,3                  | 51,3           | 0,71 | 0,74 | 0,76 | 0,59  | 0,67 | 0,81 |           | 47,0      | 678       |
| 6SB-46/6R      | 7,5               | 10   | EMC/6 10                 |                | 2860                                  | 16,7                  | 64,5           | 0,79 | 0,80 | 0,80 | 0,59  | 0,67 | 0,81 |           | 53,0      | 758       |
| 6SB-46/7       | 9,2               | 12,5 | EMC/6 12,5               |                | 2865                                  | 20,5                  | 79,2           | 0,80 | 0,81 | 0,81 | 0,59  | 0,67 | 0,81 |           | 57,0      | 800       |
| 6SB-46/8       | 11                | 15   | EMC/6 15                 |                | 2855                                  | 23,6                  | 91,1           | 0,82 | 0,83 | 0,83 | 0,63  | 0,71 | 0,81 |           | 61,0      | 851       |
| 6SB-46/9R      | 11                | 15   | EMC/6 15                 |                | 2855                                  | 23,6                  | 91,1           | 0,82 | 0,83 | 0,83 | 0,63  | 0,71 | 0,81 |           | 61,0      | 851       |
| 6SB-46/10      | 13                | 17,5 | EMC/6 17,5               |                | 2875                                  | 27,9                  | 107            | 0,81 | 0,82 | 0,82 | 0,61  | 0,69 | 0,82 |           | 66,0      | 911       |
| 6SB-46/11..12R | 15                | 20   | EMC/6 20                 |                | 2880                                  | 32,2                  | 120            | 0,80 | 0,81 | 0,81 | 0,61  | 0,69 | 0,83 |           | 72,0      | 973       |
| 6SB-46/14      | 18,5              | 25   | EMC/6 25                 |                | 2868                                  | 40,2                  | 155            | 0,81 | 0,82 | 0,82 | 0,57  | 0,66 | 0,81 |           | 80,0      | 1006      |
| 6SB-46/15..17  | 22                | 30   | EMC/6 30                 |                | 2875                                  | 46,7                  | 180            | 0,82 | 0,83 | 0,83 | 0,59  | 0,67 | 0,82 |           | 86,0      | 1106      |
| 6SB-46/18..19  | 26                | 35   | EMC/6 35                 |                | 2885                                  | 54,9                  | 212            | 0,83 | 0,84 | 0,84 | 0,61  | 0,69 | 0,83 | 90,0      | 1217      |           |
| 6SB-46/20..22  | 30                | 40   | EMC/6 40                 |                | 2895                                  | 62,1                  | 240            | 0,83 | 0,84 | 0,84 | 0,61  | 0,69 | 0,83 | 104,0     | 1247      |           |

Más información en fichas técnicas motores sumergibles EMC • More information in technicals specifications of sumersible motors EMC

Cuerpo • Body

Rodete • Impeller

Eje Bomba y Acople • Pump shaft and Coupling

Rejilla y Válvula • Strainer and Valve cap

Diám. Impulsión • Outlet con. diam.

Max. Contenido Arena • Max. Sand Content

Fundición de Hierro GG-25 • Cast Iron GG-25

Bronce • Bronze

Acero Inoxidable AISI 420 • Stainless Steel AISI 420

Acero Inoxidable AISI 304 • Stainless Steel AISI 304

3" (rosca interior) • 3" (inside threaded)

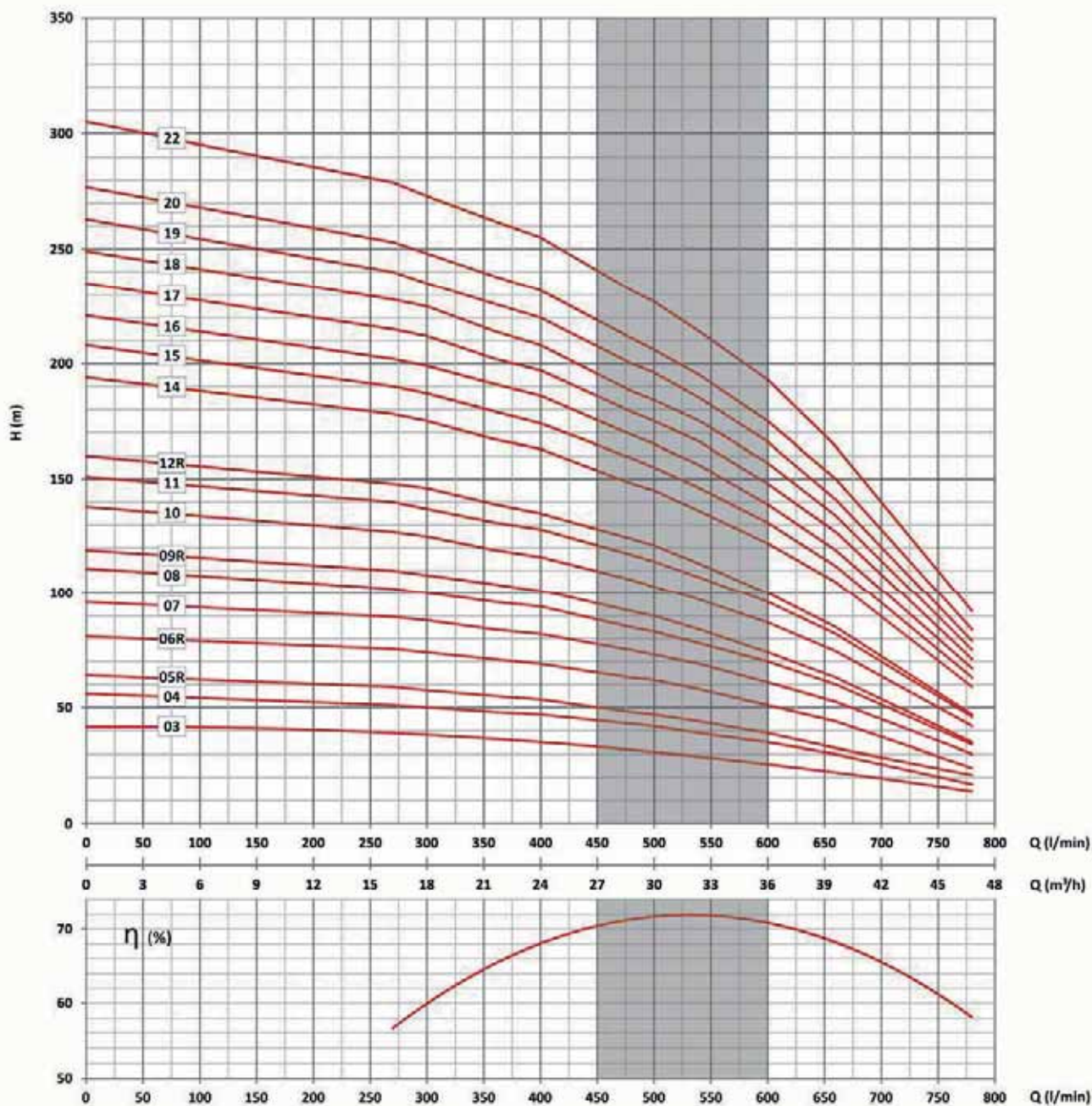
50 gr/m<sup>3</sup> • 50 gr/m<sup>3</sup>

50Hz

**Bombas Fundición de Hierro - Rodete en Bronce**  
*Cast Iron Pumps - Impeller in Bronze*

# 6SB 46

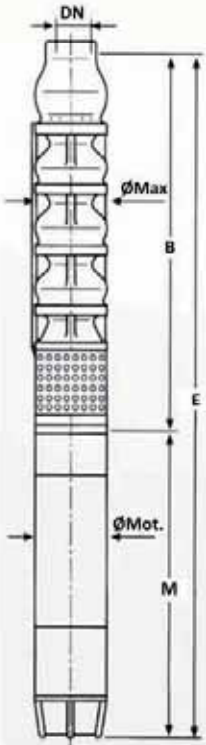
Características 50Hz • Performance 50Hz



Dimensiones y pesos en páginas posteriores • Dimensions and weights in subsequent pages

Las condiciones de trabajo han sido tomadas en las siguientes condiciones: agua 15°C, presión atmosférica de 1 bar y densidad específica 1gr/cm³ según ISO 9906 Annex A.  
 The hydraulic working characteristics have been taken with water at 15°C, at the atmospheric pressure of 1 bar and specific gravity is 1gr/cm³, ISO 9906 Annex A.

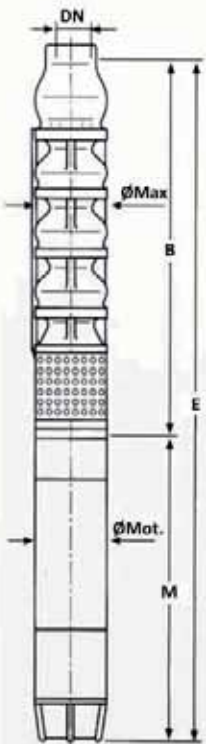
# 6SB 46



**Dimensiones y Pesos • Dimensions and Weights**

| Dimensiones y peso de la bomba • Pump weight and dimensions |      |      |      |      |       |    |                           |
|---|------|------|------|------|-------|----|---------------------------|
| Tipo<br>Type  | E    | B    | M    | ØMax | ØMot. | DN | Peso Bomba<br>Pump Weight |
| 6SB-46/3  | 1339 | 690  | 649  | 149  | 144   | 3" | 28                        |
| 6SB-46/4  | 1483 | 805  | 678  |      |       |    | 37                        |
| 6SB-46/5R   | 1598 | 920  | 678  |      |       |    | 42                        |
| 6SB-46/6R   | 1793 | 1035 | 758  |      |       |    | 47                        |
| 6SB-46/7  | 1950 | 1150 | 800  |      |       |    | 53                        |
| 6SB-46/8  | 2116 | 1265 | 851  |      |       |    | 59                        |
| 6SB-46/9R   | 2231 | 1380 | 851  |      |       |    | 64                        |
| 6SB-46/10   | 2406 | 1495 | 911  |      |       |    | 68                        |
| 6SB-46/11   | 2583 | 1610 | 973  |      |       |    | 72                        |
| 6SB-46/12R  | 2698 | 1725 | 973  |      |       |    | 78                        |
| 6SB-46/14   | 2961 | 1955 | 1006 |      |       |    | 89                        |
| 6SB-46/15   | 3176 | 2070 | 1106 |      |       |    | 97                        |
| 6SB-46/16   | 3291 | 2185 | 1106 |      |       |    | 102                       |
| 6SB-46/17   | 3406 | 2300 | 1106 |      |       |    | 108                       |
| 6SB-46/18   | 3632 | 2415 | 1217 |      |       |    | 120                       |
| 6SB-46/19   | 3747 | 2530 | 1217 |      |       |    | 126                       |
| 6SB-46/20   | 3892 | 2645 | 1247 |      |       |    | 128                       |
| 6SB-46/22   | 4122 | 2875 | 1247 |      |       |    | 139                       |

# 6SB 65



**Dimensiones y Pesos • Dimensions and Weights**

| Dimensiones y peso de la bomba • Pump weight and dimensions |      |      |      |      |       |    |                           |
|---|------|------|------|------|-------|----|---------------------------|
| Tipo<br>Type  | E    | B    | M    | ØMax | ØMot. | DN | Peso Bomba<br>Pump Weight |
| 6SB-65/2R   | 1067 | 551  | 516  | 149  | 144   | 3" | 22                        |
| 6SB-65/2  | 1200 | 551  | 649  |      |       |    | 29                        |
| 6SB-65/3R   | 1368 | 690  | 678  |      |       |    | 34                        |
| 6SB-65/4R   | 1563 | 805  | 758  |      |       |    | 40                        |
| 6SB-65/5R   | 1720 | 920  | 800  |      |       |    | 45                        |
| 6SB-65/6R   | 1886 | 1035 | 851  |      |       |    | 50                        |
| 6SB-65/7R   | 2061 | 1150 | 911  |      |       |    | 55                        |
| 6SB-65/8R   | 2238 | 1265 | 973  |      |       |    | 60                        |
| 6SB-65/9  | 2386 | 1380 | 1006 |      |       |    | 65                        |
| 6SB-65/10   | 2601 | 1495 | 1106 |      |       |    | 71                        |
| 6SB-65/11   | 2716 | 1610 | 1106 |      |       |    | 76                        |
| 6SB-65/12   | 2942 | 1725 | 1217 |      |       |    | 81                        |
| 6SB-65/13R  | 3057 | 1840 | 1217 |      |       |    | 86                        |
| 6SB-65/14   | 3202 | 1955 | 1247 |      |       |    | 91                        |
| 6SB-65/15R  | 3317 | 2070 | 1247 |      |       |    | 96                        |
| 6SB-65/16   | 3532 | 2185 | 1347 |      |       |    | 101                       |
| 6SB-65/17   | 3647 | 2300 | 1347 |      |       |    | 107                       |
| 6SB-65/18   | 3762 | 2415 | 1347 |      |       |    | 132                       |

Debido a continuas mejoras en los diseños, EMC BOMBAS se reserva el derecho de realizar modificaciones sin previo aviso.  
 Due to continuous improvement in design EMC BOMBAS reserves the right to amend specifications or data without prior notice.

Las condiciones de trabajo han sido tomadas en las siguientes condiciones: agua 15°C, presión atmosférica de 1 bar y densidad específica 1gr/cm³ según ISO 9906 Annex A.  
 The hydraulic working characteristics have been taken with water at: 15°C, at the atmospheric pressure of 1 bar and specific gravity is 1gr/cm³, ISO 9906 Annex A.